

Job Name		Engineer / Architect	
Job Location		Wholesaler	
Submittal Date		Contractor	

OCR3912AX / OCR3920AX Copper Faucet Supply Kit - Compression Multi-Turn Angle Stop

Use: For use in potable water distribution systems in accessible locations only. Not intended for recirculating water systems that produce continuous use temperatures above 115° F. For those applications, use our KT™ series ball stop supply kits.

Design Features:

- **Everything you need.** These kits combine our trusted BrassCraft® supply stop, copper riser, and escutcheon for an easy-to-install connection



Copper riser provides:

- **One-piece construction**
- **Cut-to-length** for a clean, professional installation

Multi-turn stop provides:

- **Machined one-piece brass body** provides strength, durability, and long-lasting performance
- **Oval knurled handle** provides a secure grip and smooth on/off operation
- **Easy-to-remove handle** with screw attachment helps protect against accidental stop operation during rough-ins

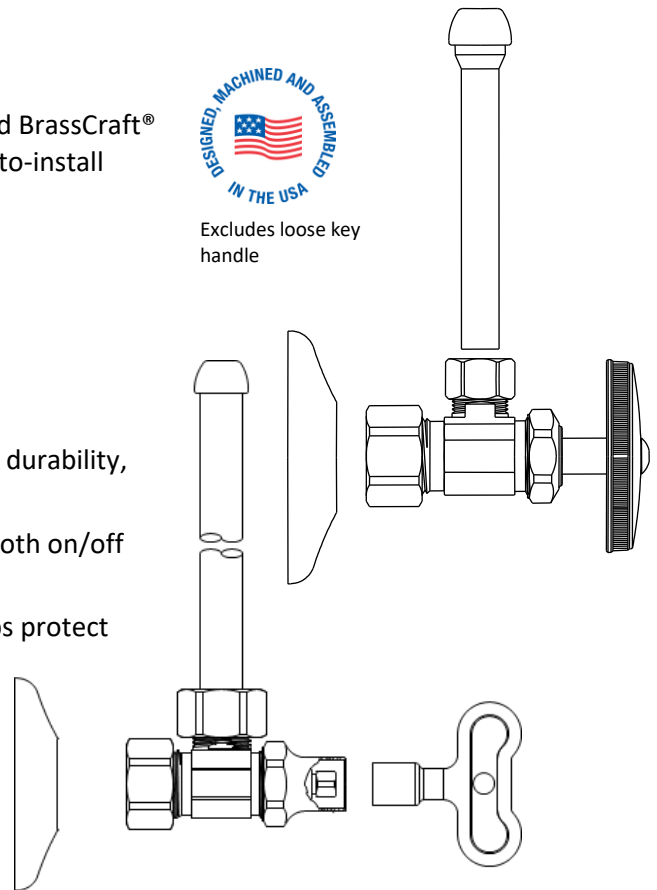
Operating Specifications:

Temperature: 40°- 140° F
Pressure: 125 PSI maximum

Tubing Diameter: 0.500" OD



Excludes loose key handle



CONNECTOR MATERIAL SPECIFICATIONS	
Tube	Copper, plated
Insert	POM

Escutcheon	Stainless steel
Loose Key	Zinc, die cast
Loose Key Stem	Brass, plated
Lock Shield	Brass, plated

STOP MATERIAL SPECIFICATIONS	
Body	Brass, plated
Stem	POM or brass, plated
Handle	Zinc, die cast plated; ABS, plated; or Polycarbonate
Handle Screw	Steel, zinc plated
Compression Nut	Brass, plated
Compression Sleeve	Brass, plated
Bib & Packing Washer	Rubber
Packing Nut	Brass, plated

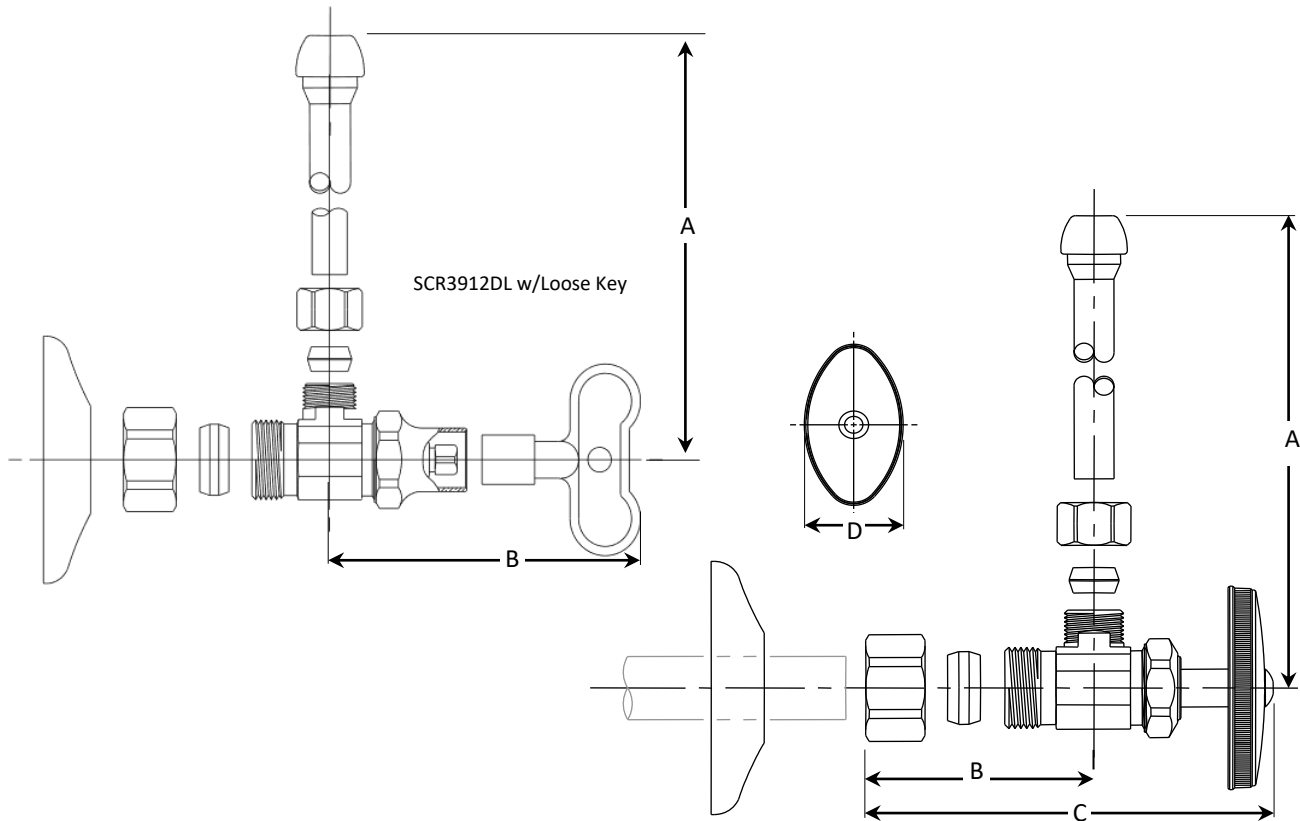
This specification and all information contained herein is the confidential and exclusive property of Brasscraft Manufacturing Company and shall not be disclosed to others without the written consent of Brasscraft Mfg. Co. This specification must be returned to BrassCraft Mfg. Co. if requested.

OCR3912AX / OCR3920AX Copper Faucet Supply Kit - Compression Multi-Turn Angle Stop

Part Listing:

- OCR3912AX C 1/2" nom compression x 1/2" OD compression multi-turn stop with 1/2" OD tube x 11-1/2" length riser & shallow escutcheon, chrome
- OCR3920AX C 1/2" nom compression x 1/2" OD compression multi-turn stop with 1/2" OD tube x 19-1/2" length riser & shallow escutcheon, chrome
- OCR3920AX R 1/2" nom compression x 1/2" OD compression multi-turn stop with 1/2" OD tube x 19-1/2" length riser & shallow escutcheon, rough finish
- SCR3912AX C 1/2" nom compression x 1/2" OD compression multi-turn stop with 1/2" OD tube x 11-1/2" length riser & shallow escutcheon, , loose key, chrome
- SCR3920AX C 1/2" nom compression x 1/2" OD compression multi-turn stop with 1/2" OD tube x 19-1/2" length riser & shallow escutcheon, loose key, chrome

PART DIMENSIONS (Inches)				
Model	DIM. A	DIM. B	DIM. C	DIM. D
OCR3912AX	11.50	1.16	2.84	1.14
OCR3920AX	19.50	1.16	2.84	1.14
SCR3912AX	11.86	2.58	2.84	1.14
SCR3920AX	19.86	2.58	2.84	1.14



Listings & Certifications:

- IAPMO listed to ASME A112.18.1/CSA B125.1 (includes NSF/ANSI372 and NSF61)



Excludes loose key handle

This specification and all information contained herein is the confidential and exclusive property of Brasscraft Manufacturing Company and shall not be disclosed to others without the written consent of Brasscraft Mfg. Co. This specification must be returned to BrassCraft Mfg. Co. if requested.

BrassCraft®