

Job Name		Engineer / Architect	
Job Location		Wholesaler	
Submittal Date		Contractor	

OCR19V90DLX / OCR19V120DLX Vinyl One-Piece Toilet Supply Kit – Compression Multi-Turn Angle Stop

Use: For use in potable water distribution systems in accessible locations only. Not intended for recirculating systems that produce continuous use temperatures above 115° F. For those applications, use our KT™ series supply kits.

Design Features:

- **Easy to install.** Combines our trusted brass supply stop and braided water connector for an easy to install one-piece connection
- **Significant time and cost savings**

Braided connector provides:

- **No kink hose.** The specially engineered reinforced PVC hose provides unique flexibility to prevent kinking and crimping
- **Strong and durable** with a tighter weave and two-layer bonded construction, outperforms conventional vinyl connectors
- **Longer wing nuts** ease installation for speedier connections
- **Rubber washers** provide a large pliable sealing surface and ensures a long-lasting water tight connection
- **8-sided pneumatic crimp** provides greater dependability for reliable nut-to-hose connections

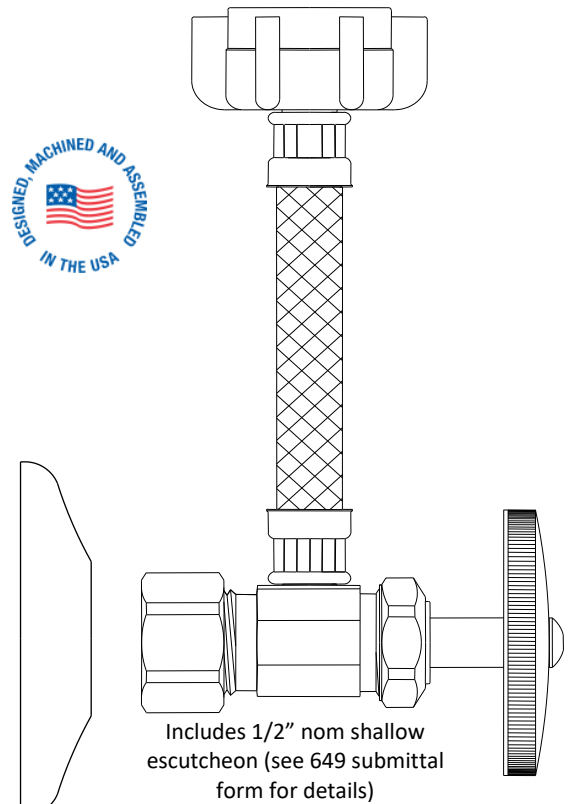
Multi-turn stop provides:

- **Machined one-piece brass body** provides strength, durability, and long-lasting performance
- **Oval knurled handle** provides a secure grip and smooth on/off operation
- **Easy-to-remove handle** with screw attachment helps protect against accidental stop operation during rough-ins

Operating Specifications:

Temperature: 40°- 160° F, intermittent to 180° F
Pressure: 125 PSI maximum

Tubing Diameter: 0.300" ID (0.500" OD)



OCR19V90DLX / OCR19V120DLX Vinyl One-Piece Toilet Supply Kit – Compression Multi-Turn Angle Stop

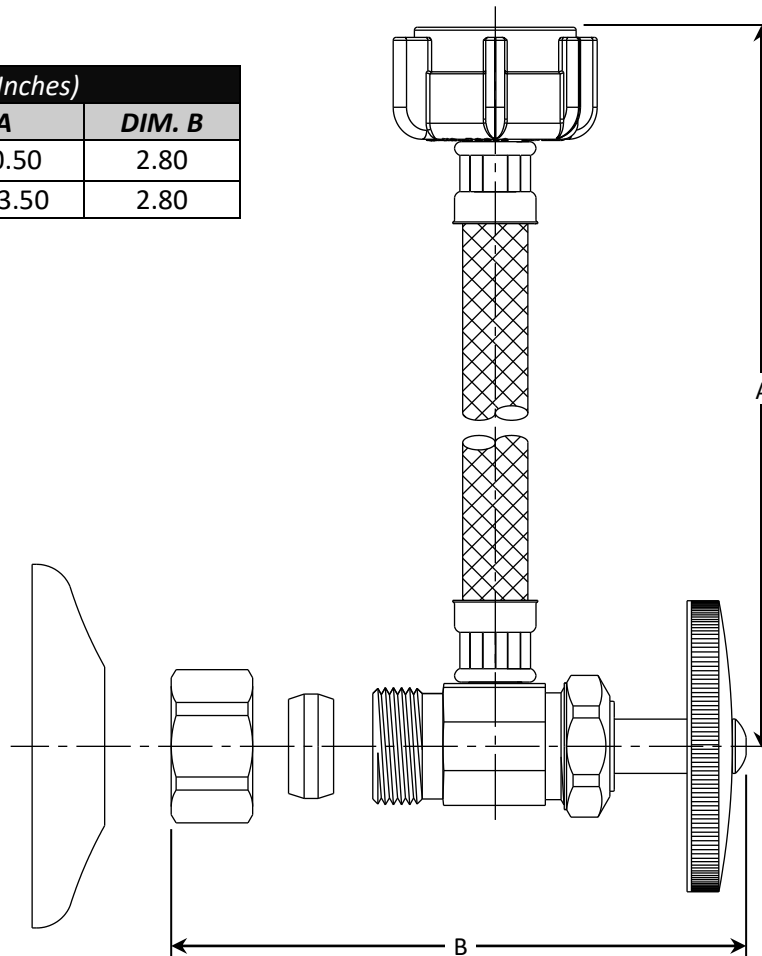
CONNECTOR MATERIAL SPECIFICATIONS	
Hose	PVC
Barb	Brass
Ferrules	Steel, zinc plated
Connector Nut	Engineered polymer
Connector Washer	Rubber
Shallow Escutcheon	Stainless steel

STOP MATERIAL SPECIFICATIONS	
Body	Brass, plated
Stem	POM
Bib & Packing Washers	Rubber
Packing Nut	Brass, plated
Handle	Polycarbonate
Handle Screw	Steel, zinc plated
Compression Ring & Nut	Brass

Part Listing:

- OCR19V90DLX C 1/2" nom compression x 7/8" ballcock x 9" length, chrome finish
- OCR19V120DLX C 1/2" nom compression x 7/8" ballcock x 12" length, chrome finish
- OCR19V120DLFX CB 1/2" nom compression x 7/8" ballcock x 12" length, less escutcheon, chrome finish, bulk

PART DIMENSIONS (Inches)		
Model	DIM. A	DIM. B
OCR19V90DLX	9.50 / 10.50	2.80
OCR19V120DLX	12.50 / 13.50	2.80



Listings & Certifications:

- IAPMO listed to ASME A112.18.1 / CSA B125.1 (includes NSF/ANSI372 and NSF61)



This specification and all information contained herein is the confidential and exclusive property of BrassCraft Manufacturing Company and shall not be disclosed to others without the written consent of BrassCraft. This specification must be returned to BrassCraft if requested.

BrassCraft®