

Job Name		Engineer / Architect	
Job Location		Wholesaler	
Submittal Date		Contractor	

## OCR19B\*\*AX Braided Faucet Supply Kit - Compression Multi-Turn Angle Stop

**Use:** For use in potable water distribution systems in accessible locations only. Not intended for recirculating systems that produce continuous use temperatures above 115° F. For those applications, use our KT™ series supply kits.

**Design Features:**

- **Easy to install.** Combines our trusted brass supply stop, water connector, and escutcheon for an easy to install one-piece connection



**Braided connector provides:**

- **Corrosion Resistance** to harsh chemicals found in most common household cleaning and plumbing repair products
- **More flexible than stainless steel,** the braided polymer-coated fibers bend freely without kinking or crimping
- **Rubber washers** provide a large pliable sealing surface and ensures a long lasting water tight connection

**Multi-turn stop provides:**

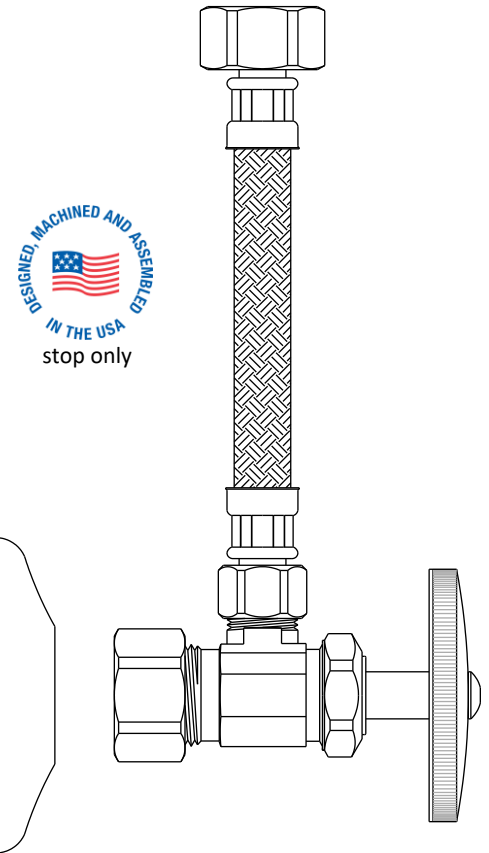
- **Machined one-piece brass body** provides strength, durability, and long-lasting performance
- **Oval knurled handle** provides a secure grip and smooth on/off operation
- **Easy-to-remove handle** with screw attachment helps protect against accidental stop operation during rough-ins

**Operating Specifications:**

**Temperature:** 40° - 140° F

**Pressure:** 125 PSI maximum

**Tubing Diameter:** 0.300" ID (0.550" OD)



CONNECTOR MATERIAL SPECIFICATIONS	
Inner Hose	Reinforced PVC
Braiding	PVC yard
Barb	Brass
Ferrule	Stainless steel
Nut	Brass, plated
Washer	Rubber
Compression Nut	Brass, plated
Escutcheon	Stainless steel

STOP MATERIAL SPECIFICATIONS	
Body	Brass, plated
Stem	POM
Bib & Packing Washer	Rubber
Packing Nut	Brass, plated
Handle	Zinc, die cast plated; ABS, plated; or polycarbonate
Handle Screw	Steel, zinc plated
Compression Nut	Brass, plated
Compression Sleeve	Brass
Loose Key	Zinc, die cast
Loose Key Stem	Brass

This specification and all information contained herein is the confidential and exclusive property of Brasscraft Manufacturing Company and shall not be disclosed to others without the written consent of Brasscraft Mfg. Co. This specification must be returned to Brasscraft Mfg. Co. if requested.

400.256 OCR19B\*\*AX Braided Faucet Supply Kit – Comp MT Stop REV 9.19



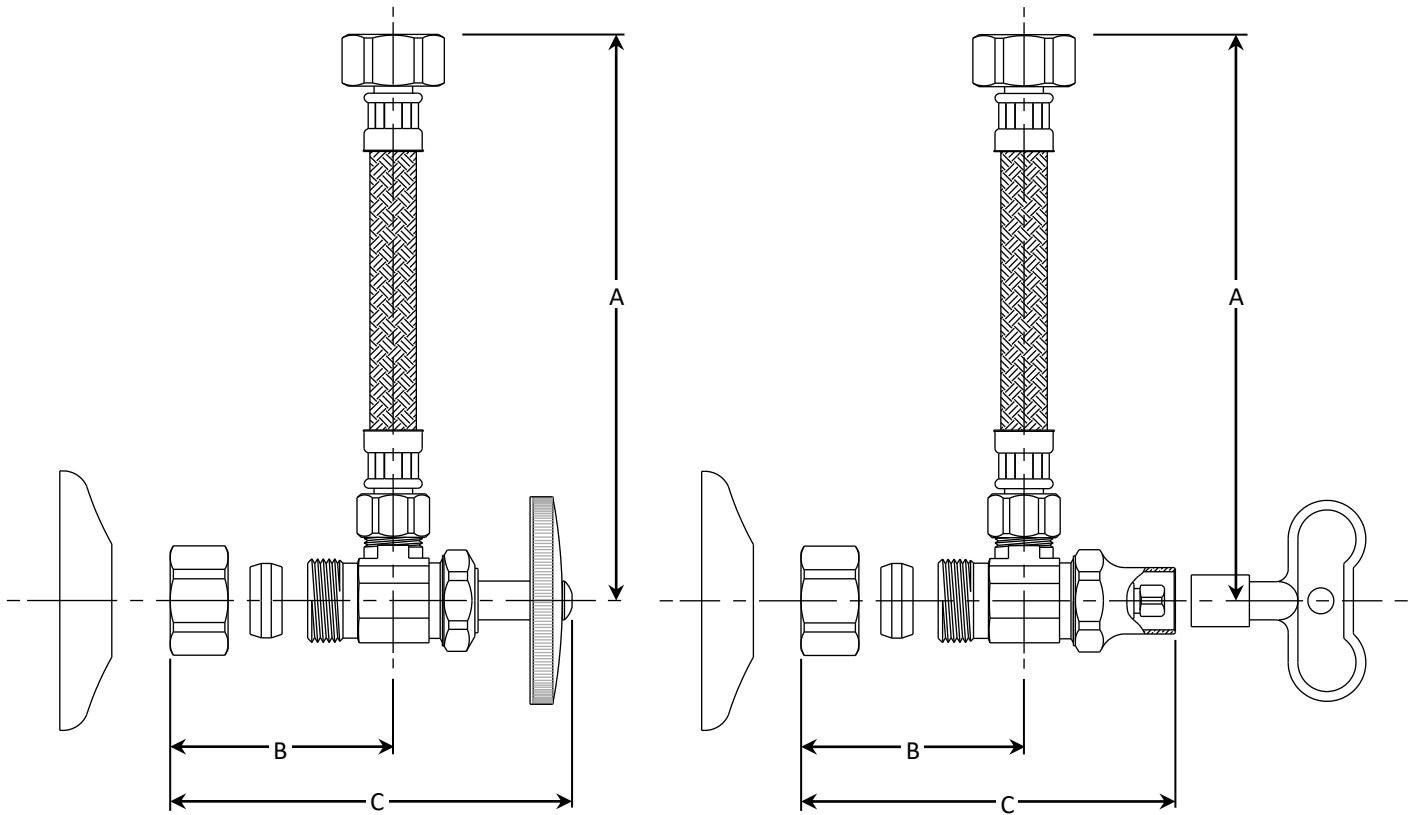
©2019 Brasscraft Manufacturing Company

# OCR19B\*\*AX Braided Faucet Supply Kit - Compression Multi-Turn Angle Stop

**Part Listing:**

- OCR19B12AX C      1/2" nom compression x 3/8" OD compression multi-turn stop with 1/2" FIP outlet x 12" length braided connector, shallow escutcheon, chrome finish
- OCR19B16AX C      1/2" nom compression x 3/8" OD compression multi-turn stop with 1/2" FIP outlet x 16" length braided connector, shallow escutcheon, chrome finish
- OCR19B20AX C      1/2" nom compression x 3/8" OD compression multi-turn stop with 1/2" FIP outlet x 20" length braided connector, shallow escutcheon, chrome finish
- SCR19B12AX C2      1/2" nom compression x 3/8" OD compression multi-turn stop with 1/2" FIP outlet x 12" length braided connector, shallow escutcheon, loose key, chrome finish

PART DIMENSIONS (Inches)			
Model	DIM. A	DIM. B	DIM. C
OCR19B12AX	12.50 / 13.50	1.16	2.84
OCR19B16AX	16.50 / 17.50	1.16	2.84
OCR19B20AX	20.50 / 21.50	1.16	2.84
SCR19B12Ax	12.50 / 13.50	1.16	2.62



**Listings & Certifications:**

**Stops:**

- IAPMO listed to ASME A112.18.1 / CSA B125.1 (includes NSF/ANSI372 and NSF61)

**Connectors:**

- IAPMO listed to ASME A112.18.6 / CSA B125.6 (includes NSF/ANSI372 and NSF61)



*This specification and all information contained herein is the confidential and exclusive property of Brasscraft Manufacturing Company and shall not be disclosed to others without the written consent of Brasscraft Mfg. Co. This specification must be returned to Brasscraft Mfg. Co. if requested.*