

For Residential and Commercial Applications

Job Name		Engineer / Architect	
Job Location		Wholesaler	
Submittal Date		Contractor	

O3345X Multi-Turn Straight Stop - Compression x Slip-Joint

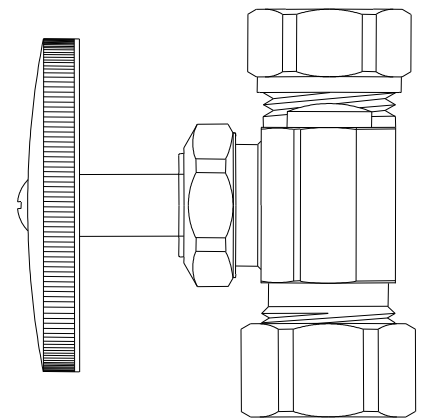
Use: For use in potable water distribution systems in accessible locations only. Not intended for recirculation systems/continuous use of temperatures above 115°F. For those applications, use our KT™ series ball stop.

Design Features:

- **Machined one-piece brass body** provides strength, durability and long-lasting performance
- **Oval knurled handle** provides a secure grip and smooth on/off operation
- **✓**

Operating Specifications:

Temperature: 40° - 140° F
Pressure: 125 PSI maximum



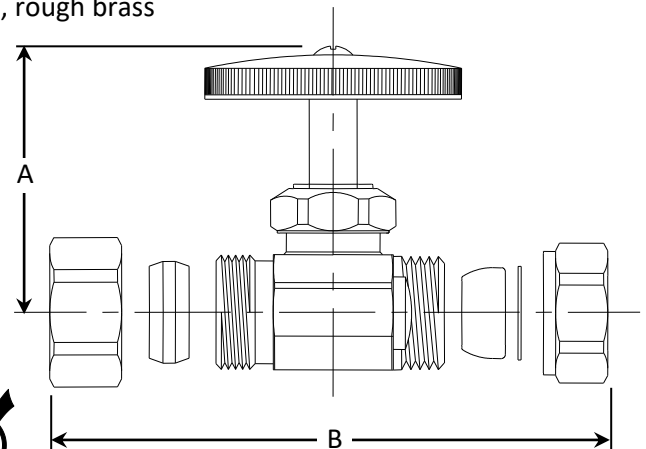
STOP MATERIAL SPECIFICATIONS	
Body	<i>Brass, plated</i>
Stem	<i>POM</i>
Bib & Packing Washers	<i>Rubber</i>
Packing Nut	<i>Brass, plated</i>
Handle	<i>Metal, plated; ABS, plated; or polycarbonate</i>
Handle Screw	<i>Steel, zinc plated</i>
Slip-Joint Washer	<i>Rubber</i>
Slip-Joint Nut	<i>Brass, plated</i>
Friction Rings	<i>Brass</i>
Compression Nut & Sleeve	<i>Brass</i>



Part Listing:

- O3345X C 1/2" nom compression x 7/16" & 1/2" slip-joint, chrome plated
- O3345X C1 1/2" nom compression x 7/16" & 1/2" slip-joint, chrome plated, window tray
- O3345X CM 1/2" nom compression x 7/16" & 1/2" slip-joint, chrome plated, contractor pack
- O3345X R 1/2" nom compression x 7/16" & 1/2" slip-joint, rough brass

PART DIMENSIONS (Inches)		
Model	DIM. A	DIM. B
O3345	1.77	2.56



Listings & Certifications:

- IAPMO listed to ASME A112.18.1 / CSA B125.1 (includes NSF/ANSI372 & NSF61)



This specification and all information contained herein is the confidential and exclusive property of Brasscraft Manufacturing Company and shall not be disclosed to others without the written consent of Brasscraft Mfg. Co. This specification must be returned to Brasscraft Mfg. Co. if requested.

BrassCraft®