

Job Name		Engineer / Architect	
Job Location		Wholesaler	
Submittal Date		Contractor	

O3341/S3341 Multi-Turn Angle Stop - Compression x Slip-Joint Optional Loose Key

Use: For use in potable water distribution systems in accessible locations only. Not intended for recirculation systems/continuous use of temperatures above 115°F. For those applications, use our KT™ series ball stop.

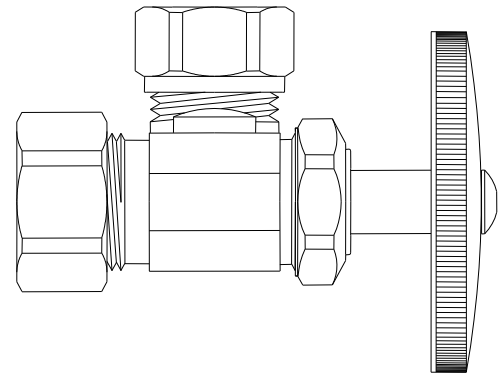
Design Features:

- **Machined one-piece brass body** provides strength, durability and long-lasting performance
- **Oval knurled handle** provides a secure grip and smooth on/off operation



Operating Specifications:

Temperature: 40° - 140° F
Pressure: 125 PSI maximum



STOP MATERIAL SPECIFICATIONS	
Body	Brass, plated
Stem	POM or brass
Bib & Packing Washers	Nitrile or EPDM rubber
Packing Nut	Brass, plated
Handle	Metal, plated; ABS, plated; or polycarbonate
Handle Screw	Steel, zinc plated
Slip-Joint Washer	NBR rubber
Slip-Joint Nut	Brass, plated
Friction Rings	Brass
Compression Nut & Sleeve	Brass
Optional Loose Key	
Loose Key Stem	Brass
Loose Key	Zinc die cast

Part Listing:

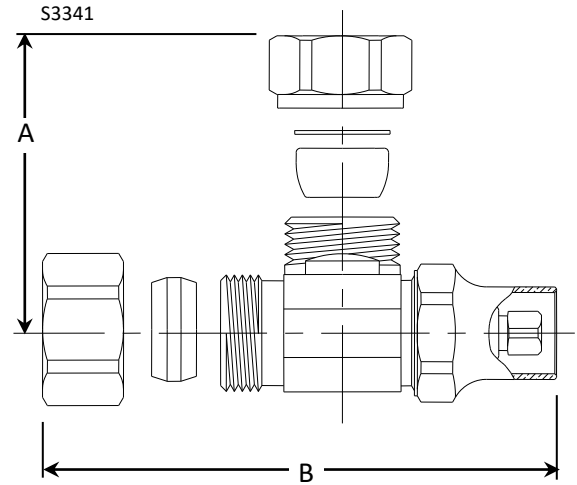
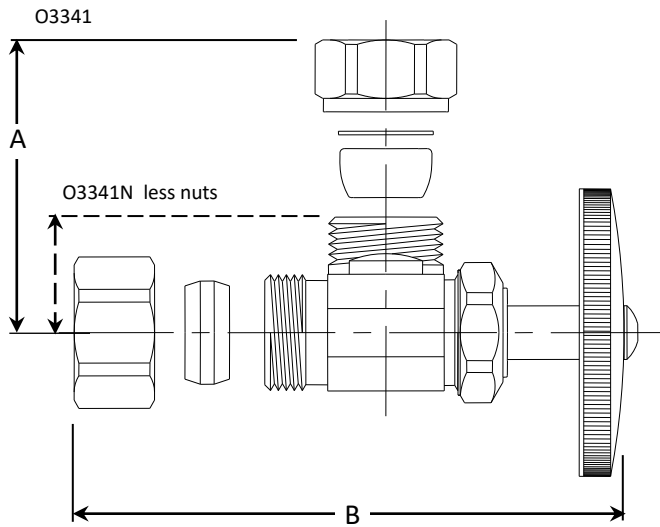
- O3341X C 1/2" nom compression x 7/16" & 1/2" slip-joint, chrome plated
- O3341X C1 1/2" nom compression x 7/16" & 1/2" slip-joint, chrome plated, window tray
- O3341X R 1/2" nom compression x 7/16" & 1/2" slip-joint, rough brass
- O3341NX C100T 1/2" nom compression x 7/16" & 1/2" slip-joint, less outlet nut, chrome plated, bulk
- O3341ZX C 1/2" nom compression x 7/16" & 1/2" slip-joint, brass stem, chrome plated
- S3341X C 1/2" nom compression x 7/16" & 1/2" slip-joint with loose key, chrome plated

This specification and all information contained herein is the confidential and exclusive property of Brasscraft Manufacturing Company and shall not be disclosed to others without the written consent of Brasscraft Mfg. Co. This specification must be returned to Brasscraft Mfg. Co. if requested.



O3341/S3341 Multi-Turn Angle Stop - Compression x Slip-Joint Optional Loose Key

PART DIMENSIONS (Inches)		
Model	DIM. A	DIM. B
O3341X	1.15	2.92
O3341NX	.81	2.92
S3341X	1.15	2.72



Listings & Certifications:

- IAPMO listed to ASME A112.18.1 / CSA (includes NSF/ANSI372 & NSF61)



This specification and all information contained herein is the confidential and exclusive property of Brasscraft Manufacturing Company and shall not be disclosed to others without the written consent of Brasscraft Mfg. Co. This specification must be returned to Brasscraft Mfg. Co. if requested.

BrassCraft®