

**For Residential and Commercial Applications**

Job Name		Engineer / Architect	
Job Location		Wholesaler	
Submittal Date		Contractor	

## 03305 Multi-Turn Straight Stop - Female Iron Pipe x Slip-Joint

**Use:** For use in potable water distribution systems in accessible locations only. Not intended for recirculation systems/continuous use of temperatures above 115°F. For those applications, use our KT™ series ball stop.

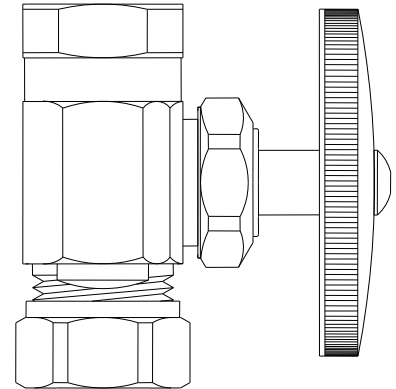
**Design Features:**

- **Machined one-piece brass body** provides strength, durability and long-lasting performance
- **Oval knurled handle** provides a secure grip and smooth on/off operation



**Operating Specifications:**

**Temperature:** 40° - 140° F  
**Pressure:** 125 PSI maximum

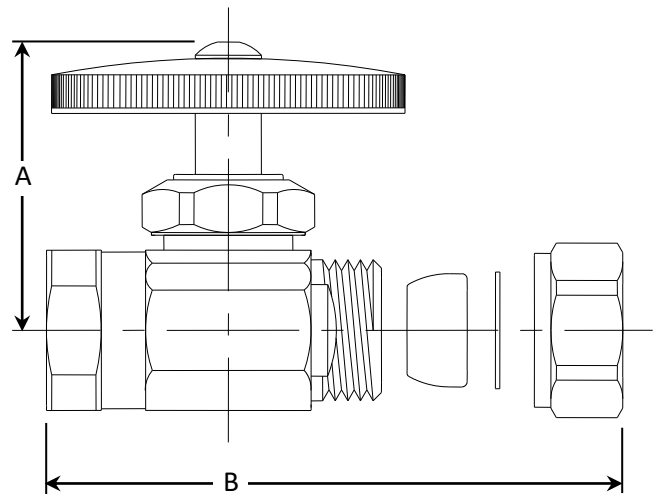


**STOP MATERIAL SPECIFICATIONS**

<b>Body</b>	Brass, plated
<b>Stem</b>	POM
<b>Bib &amp; Packing Washers</b>	Nitrile or EPDM rubber
<b>Packing Nut</b>	Brass, plated
<b>Handle</b>	Zinc die cast
<b>Handle Screw</b>	Steel, zinc plated
<b>Slip-Joint Washer</b>	NBR rubber
<b>Slip-Joint Nut</b>	Brass, plated
<b>Friction Rings</b>	Brass

**PART DIMENSIONS (Inches)**

Model	DIM. A	DIM. B
O3305X	1.04	2.36



**Part Listing:**

- O3305X C 1/2" FIP x 7/16" & 1/2" slip-joint, chrome plated
- O3305X CD 1/2" FIP x 7/16" & 1/2" slip-joint, chrome plated, carded
- O3305X C1 1/2" FIP x 7/16" & 1/2" slip-joint, chrome plated, window tray

**Listings & Certifications:**

- IAPMO listed to ASME A112.18.1 / CSA B125.1 (includes NSF/ANSI 372 & NSF61)



*This specification and all information contained herein is the confidential and exclusive property of Brasscraft Manufacturing Company and shall not be disclosed to others without the written consent of Brasscraft Mfg. Co. This specification must be returned to Brasscraft Mfg. Co. if requested.*

