

*or Residential and Commercial Applications*

Job Name		Engineer / Architect	
Job Location		Wholesaler	
Submittal Date		Contractor	

## O3301/S3301 Multi-Turn Angle Stop - Female Iron Pipe x Slip-Joint (Optional Loose Key)

**Use:** For use in potable water distribution systems in accessible locations only. Not intended for recirculation systems/continuous use of temperatures above 115°F. For those applications, use our KT™ series ball stop.

**Design Features:**

- **Machined one-piece brass body** provides strength, durability and long-lasting performance
- **Oval knurled handle** provides a secure grip and smooth on/off operation

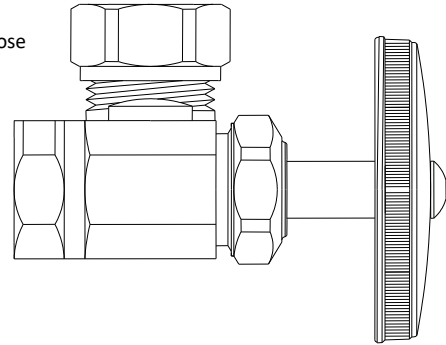


**Operating Specifications:**

**Temperature:** 40° - 140° F  
**Pressure:** 125 PSI maximum



Excludes loose key handle



<b>STOP MATERIAL SPECIFICATIONS</b>	
<b>Body</b>	Brass, plated
<b>Stem</b>	POM or brass
<b>Bib &amp; Packing Washers</b>	Nitrile or EPDM rubber
<b>Packing Nut</b>	Brass
<b>Handle</b>	Metal, plated; ABS, plated; or polycarbonate
<b>Handle Screw</b>	Steel, zinc plated
<b>Slip-Joint Washer</b>	NBR rubber
<b>Slip-Joint Nut</b>	Brass
<b>Friction Rings</b>	Brass
<b>Optional Loose Key</b>	
<b>Loose Key Stem</b>	Brass
<b>Lock Shield</b>	Brass, plated
<b>Loose Key</b>	Zinc die cast

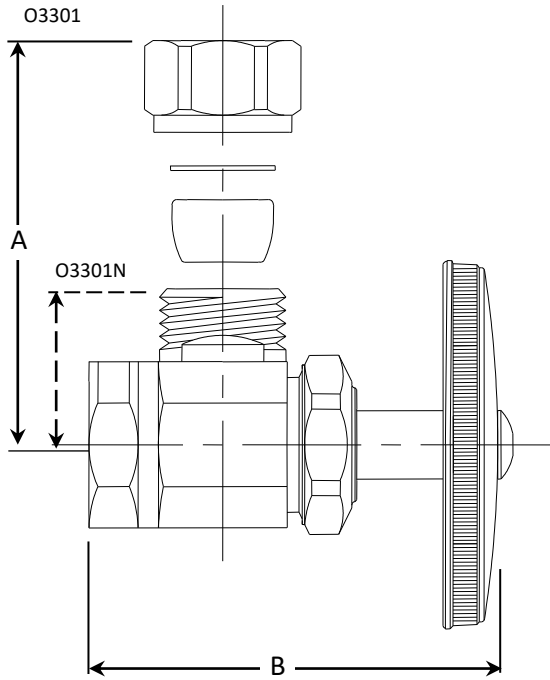
**Part Listing:**

- O3301X C      1/2" FIP x 7/16" & 1/2" slip-joint, chrome plated
- O3301X C1    1/2" FIP x 7/16" & 1/2" slip-joint, chrome plated, window tray
- O3301X R      1/2" FIP x 7/16" & 1/2" slip-joint, rough brass
- O3301NX C    1/2" FIP x 7/16" & 1/2" slip-joint, less outlet nut, chrome plated
- O3301NX C100T 1/2" FIP x 7/16" & 1/2" slip-joint, less outlet nut, chrome plated, bulk
- O3301ZX C    1/2" FIP x 7/16" & 1/2" slip-joint, brass stem, chrome plated
- S3301X C      1/2" FIP x 7/16" & 1/2" slip-joint with loose key, chrome plated

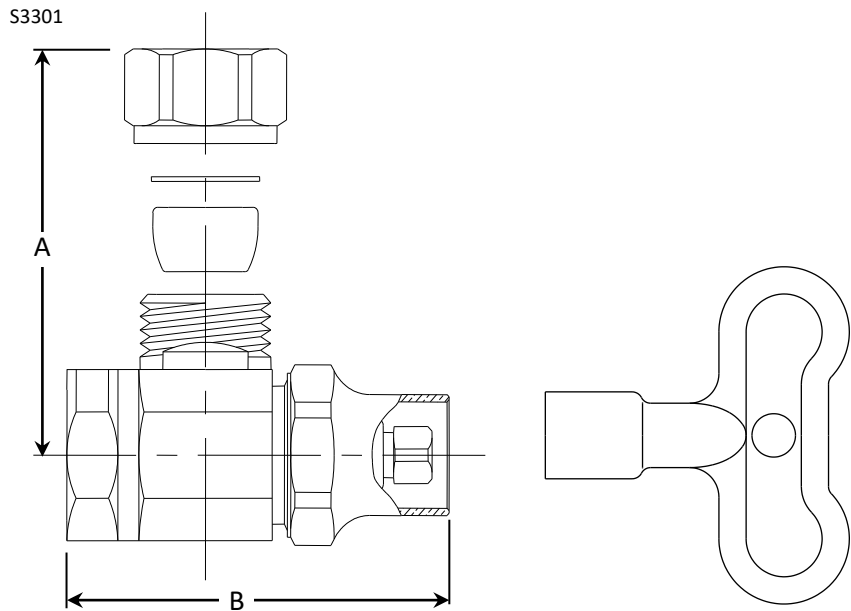
*This specification and all information contained herein is the confidential and exclusive property of Brasscraft Manufacturing Company and shall not be disclosed to others without the written consent of Brasscraft Mfg. Co. This specification must be returned to Brasscraft Mfg. Co. if requested.*



# O3301/S3301 Multi-Turn Angle Stop - Female Iron Pipe x Slip-Joint (Optional Loose Key)



PART DIMENSIONS (Inches)		
Model	DIM. A	DIM. B
O3301X	1.19	2.62
O3301NX	.85	2.62
S3301X	1.19	2.32



### Listings & Certifications:

- IAPMO listed to ASME A112.18.1 / CSA B125.1 (includes NSF/ANSI 372 & NSF61)



Excludes loose key handle

*This specification and all information contained herein is the confidential and exclusive property of Brasscraft Manufacturing Company and shall not be disclosed to others without the written consent of Brasscraft Mfg. Co. This specification must be returned to Brasscraft Mfg. Co. if requested.*

**BrassCraft®**