


Job Name		Engineer / Architect	
Job Location		Wholesaler	
Submittal Date		Contractor	

NV105 Straight Needle Valve – Compression x Compression

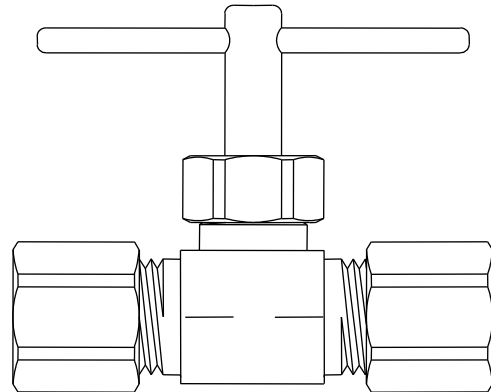
Use: Use with automotive and industrial applications for instrumentation, hydraulic, and pneumatic systems. Not intended for use with natural gas, LPG (liquefied petroleum gas or propane), nuclear, or avionic (aircraft) applications.

Design Features:

- **Positive sealing and flow adjustment** up to the capacity of the valve
- **Metal-to-metal seats** with a fine thread engagement
- 

Operating Specifications:

Temperature: -65° to 250° F
Water Applications 40° to 140° F
 115° F maximum continuous use temperature
Working Pressure: Up to 150 PSI



Standard Product

MATERIAL SPECIFICATIONS	
Body	Brass
Stem	Brass
Handle	Steel
Packing Nut	Brass
Packing Washer	Rubber
Compression Nuts	Brass
Compression Sleeves	Brass

Standard Part Listing:

- NV105-4 1/4" OD tube, both ends
- NV105-4 B 1/4" OD tube, both ends, bulk
- NV105-6 3/8" OD tube, both ends
- NV105-6 B 3/8" OD tube, both ends, bulk

Low-lead Part Listing:

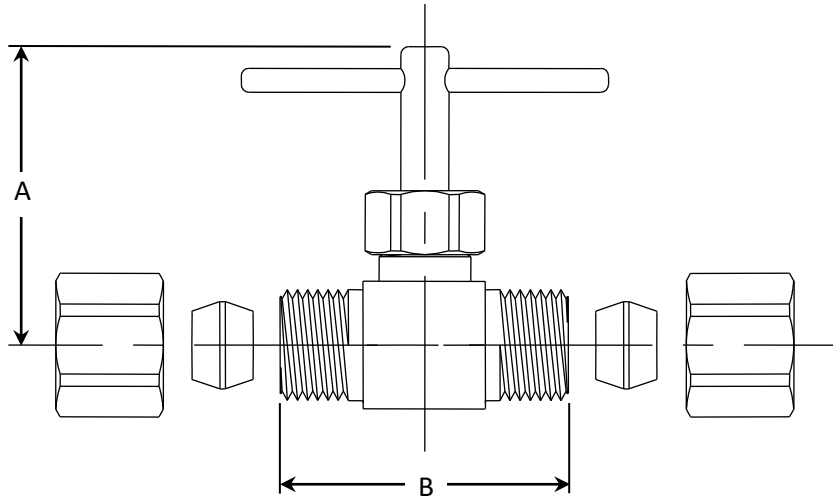
- NV105-4X 1/4" OD tube, both ends
- NV105-4X B 1/4" OD tube, both ends, bulk
- NV105-4X D 1/4" OD tube, both ends, carded
- NV105-6X 3/8" OD tube, both ends
- NV105-6X B 3/8" OD tube, both ends, bulk

This specification and all information contained herein is the confidential and exclusive property of Brasscraft Manufacturing Company and shall not be disclosed to others without the written consent of Brasscraft Mfg. Co. This specification must be returned to Brasscraft Mfg. Co. if requested.



NV105 Straight Needle Valve – Compression x Compression

PART DIMENSIONS (Inches)		
Model	DIM. A (Open)	DIM. B
NV105-4	1.18	1.18
NV105-6	1.31	1.37



This specification and all information contained herein is the confidential and exclusive property of Brasscraft Manufacturing Company and shall not be disclosed to others without the written consent of Brasscraft Mfg. Co. This specification must be returned to Brasscraft Mfg. Co. if requested.