


Job Name		Engineer / Architect	
Job Location		Wholesaler	
Submittal Date		Contractor	

KTSCS40BX 1/4 Turn Angle Ball Stop w/ 5" Extension & Loose Key – Sweat x Compression

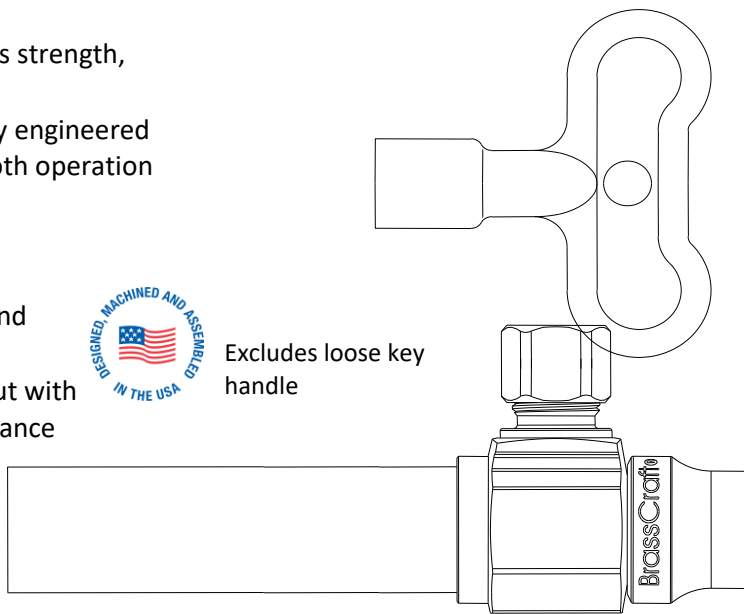
Use: For use in potable water distribution systems in accessible locations only.

Design Features:

- **Machined one-piece brass body** provides strength, durability, and long-lasting performance
- **Precision-machined brass ball** is specially engineered and mated with PTFE seats to provide smooth operation
- **Two high-performance o-rings** withstand high temperatures and corrosion
- **Brass body** provides strength, durability, and long-lasting performance
- **Brass stem** is assembled from the inside out with two o-rings to ensure safe, reliable performance
- **Plated stem** provides corrosion resistance and prevents o-ring damage
- **100% leak tested**
- 



Excludes loose key handle



Operating Specifications:

Temperature: 40°- 180° F
Pressure: 125 PSI maximum

STOP MATERIAL SPECIFICATIONS	
Body	Brass, plated
Stem	Brass, plated
Handle	Zinc die cast, plated
Handle Screw	Steel, zinc plated
O-ring	Rubber
Ball	Brass, plated
Seat	PTFE
Compression Sleeve	Brass
Compression Nut	Brass, plated
Extension Tube	Copper, plated
Bell Escutcheon	Steel, plated
Loose Key Adaptor	Zinc die cast
Loose Key	Zinc die cast

This specification and all information contained herein is the confidential and exclusive property of Brasscraft Manufacturing Company and shall not be disclosed to others without the written consent of Brasscraft Mfg. Co. This specification must be returned to Brasscraft Mfg. Co. if requested.

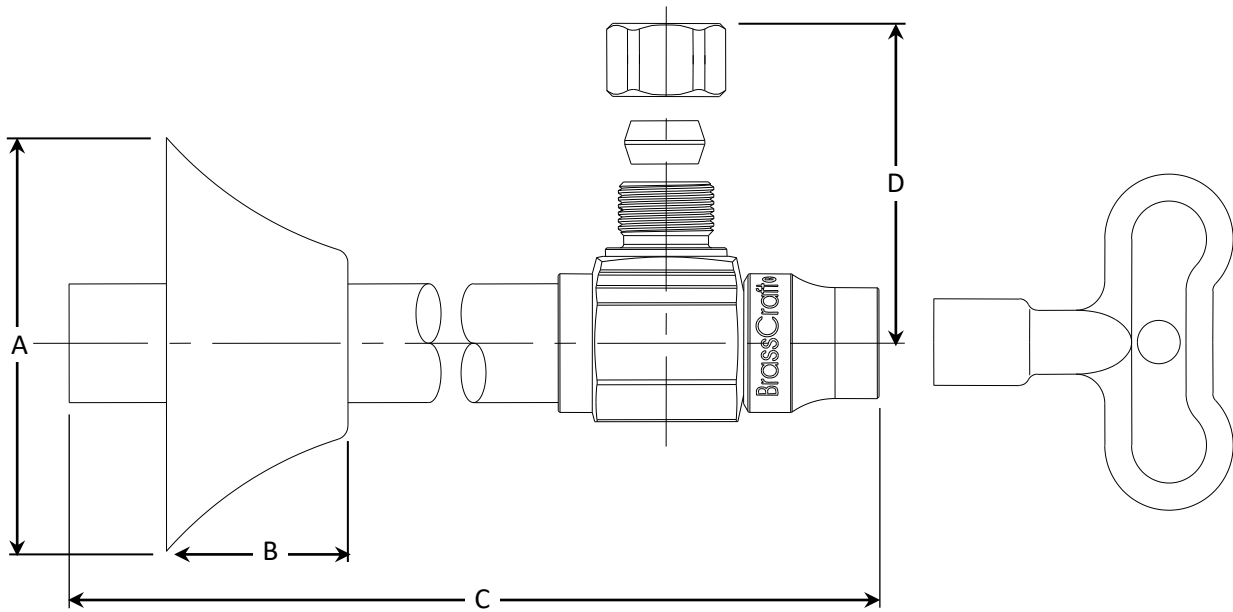


KTSCS40BX 1/4 Turn Angle Ball Stop w/ 5" Extension & Loose Key – Sweat x Compression

Part Listing:

- KTSCS40BX C 1/2" nom sweat x 3/8" OD compression, bell escutcheon, chrome plated

PART DIMENSIONS (Inches)				
Model	DIM A	DIM B	DIM C	DIM D
KTSCS40BX	2.40	1.12	6.75	1.20



Listings & Certifications:

- IAPMO listed to ASME A112.18.1 / CSA B125.1 (includes NSF/ANSI 372 and NSF61)



Excludes loose key handle

This specification and all information contained herein is the confidential and exclusive property of Brasscraft Manufacturing Company and shall not be disclosed to others without the written consent of Brasscraft Mfg. Co. This specification must be returned to Brasscraft Mfg. Co. if requested.

BrassCraft®