


*For Residential and Commercial Applications*

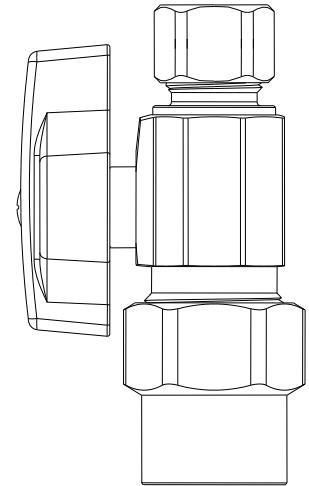
Job Name		Engineer / Architect	
Job Location		Wholesaler	
Submittal Date		Contractor	

## KTPR14X 1/4 Turn Straight Ball Stop – CPVC x Compression

**Use:** For use in potable water distribution systems in accessible locations only.

**Design Features:**

- **Precision-machined brass ball** is specially engineered and mated with PTFE seats to provide smooth operation
- **Two high-performance o-rings** withstand high temperatures and corrosion
- **Machined one-piece brass body** provides strength, durability, and long-lasting performance
- **Blow-out proof brass stem** is assembled from the inside out with two o-rings to ensure safe, reliable performance
- **Plated stem** provides corrosion resistance and prevents o-ring damage
- **Metal handle** is designed for durability, corrosion resistance & a sleek appearance
- **Easy-to-remove handle** with screw attachment protects accidental stop operation during rough-ins
- **100% leak tested**
- 



**Operating Specifications:**

**Temperature:** 40° - 180° F  
**Pressure:** 125 PSI maximum

<b>STOP MATERIAL SPECIFICATIONS</b>	
<b>Body</b>	<i>Brass, plated</i>
<b>Stem</b>	<i>Brass, plated</i>
<b>Seats</b>	<i>PTFE</i>
<b>Ball</b>	<i>Brass, plated</i>
<b>Stem O-rings</b>	<i>Rubber</i>
<b>Handle</b>	<i>Zinc die cast</i>
<b>Handle Screw</b>	<i>Steel, zinc plated</i>
<b>CPVC Insert</b>	<i>CPVC</i>
<b>CPVC Washer</b>	<i>Rubber</i>
<b>Compression Sleeve</b>	<i>Brass</i>
<b>CPVC &amp; Compression Nut</b>	<i>Brass, plated</i>

*This specification and all information contained herein is the confidential and exclusive property of Brasscraft Manufacturing Company and shall not be disclosed to others without the written consent of Brasscraft Mfg. Co. This specification must be returned to Brasscraft Mfg. Co. if requested.*

400.07 KTPR14X 1/4 Turn Straight Ball Stop - CPVC x Comp REV 9.19



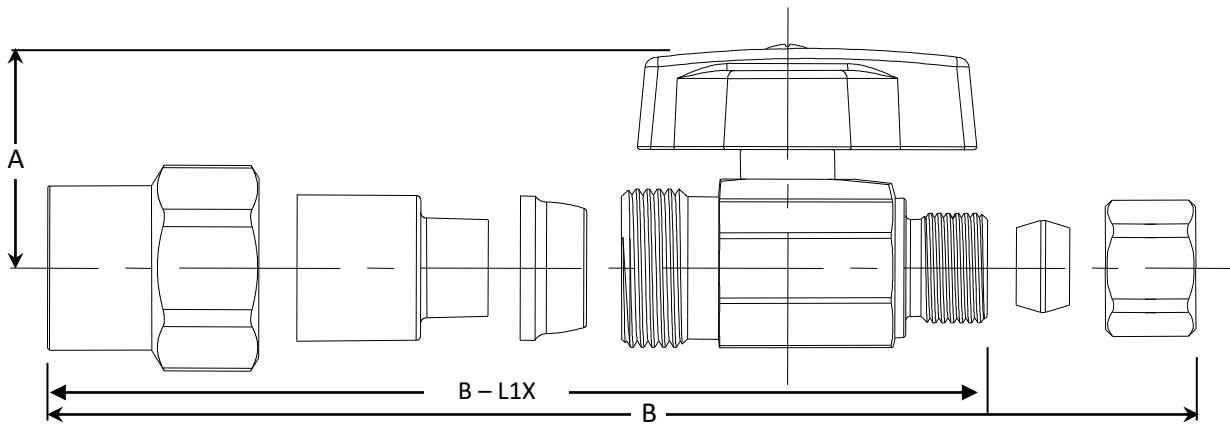
©2019 Brasscraft Manufacturing Company

# KTR14X 1/4 Turn Straight Ball Stop – Sweat x Compression

**Part Listing:**

- KTPR14X C 1/2" nom CPVC x 3/8" OD compression, chrome plated
- KTPR14X C1 1/2" nom CPVC x 3/8" OD compression, chrome plated, window box
- KTPR14L1X CB 1/2" nom CPVC x 3/8" OD compression, less nut, chrome plated, bulk

<b>PART DIMENSIONS (Inches)</b>		
<b>Model</b>	<b>DIM. A</b>	<b>DIM. B</b>
KTPR14X	1.14	2.80
KTPR14L1X	1.14	2.53



**Listings & Certifications:**

- IAPMO listed to ASME A112.18.1 / CSA B125.1 (includes NSF/ANSI 372 and NSF61)



*This specification and all information contained herein is the confidential and exclusive property of Brasscraft Manufacturing Company and shall not be disclosed to others without the written consent of Brasscraft Mfg. Co. This specification must be returned to Brasscraft Mfg. Co. if requested.*

**BrassCraft®**