


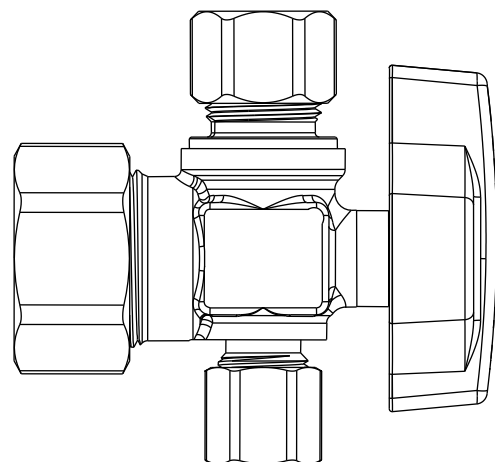
Job Name		Engineer / Architect	
Job Location		Wholesaler	
Submittal Date		Contractor	

KTCR1900/1901X 1/4 Turn Dual Outlet Ball Stop – Compression Inlet

Use: For use in potable water distribution systems in accessible locations only.

Design Features:

- **Machined brass ball** is specially engineered and mated with PTFE seats to provide smooth operation
- **Two high-performance o-rings** withstand high temperatures and corrosion
- **Machined one-piece brass body** provides strength, durability, and long-lasting performance
- **Brass stems** are assembled from the inside out with two o-rings to ensure safe, reliable performance
- **Plated stems** provide corrosion resistance and prevent o-ring damage
- **Metal handle** is designed for durability, corrosion resistance, and a sleek appearance
- **Easy-to-remove handle** with screw attachment helps protect against accidental stop operation during rough-ins
- **100% leak tested**
- 



Operating Specifications:

Temperature: 40° - 180° F
Pressure: 125 PSI maximum

STOP MATERIAL SPECIFICATIONS

Body	<i>Brass, plated</i>
Stem	<i>Brass, plated</i>
Ball	<i>Brass, plated</i>
Seats	<i>PTFE</i>
Stem o-ring	<i>Rubber</i>
Handle	<i>Zinc die cast, plated</i>
Screw	<i>Steel, zinc plated</i>
Compression Sleeve	<i>Brass</i>
Compression Nut	<i>Brass, plated</i>

This specification and all information contained herein is the confidential and exclusive property of Brasscraft Manufacturing Company and shall not be disclosed to others without the written consent of Brasscraft Mfg. Co. This specification must be returned to Brasscraft Mfg. Co. if requested.

400.128 KTCR1900/1901X Dual Outlet Ball Stop - Comp All Ends REV 9.19



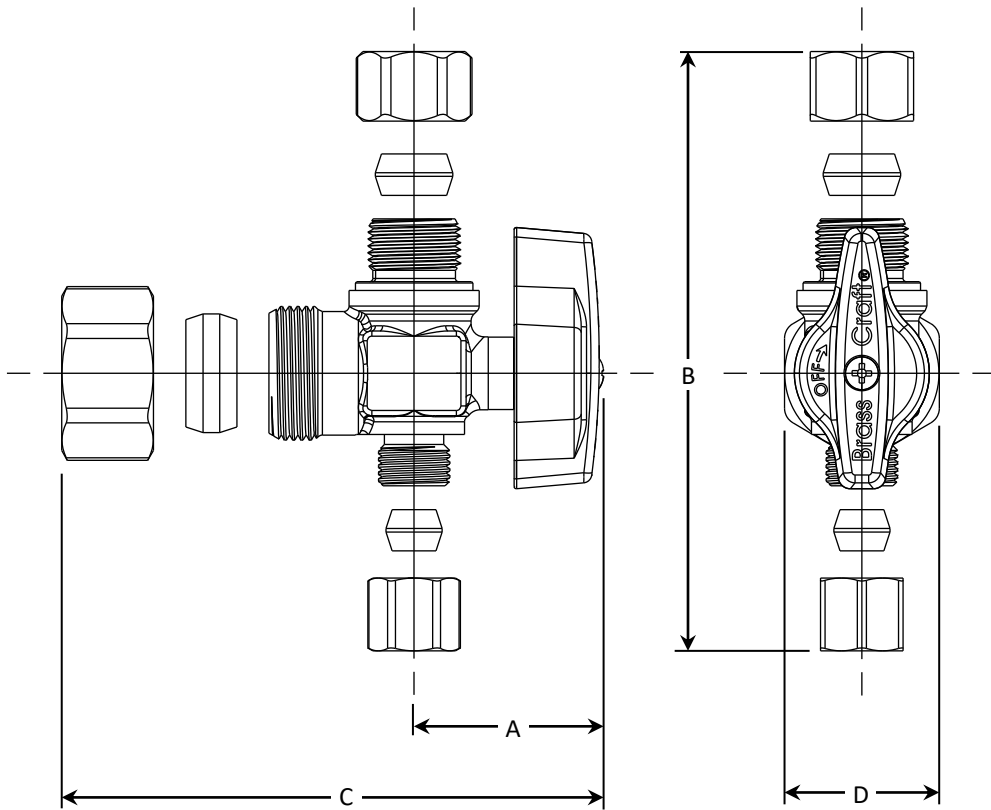
©2019 Brasscraft Manufacturing Company

KTCR1900/1901X 1/4 Turn Dual Outlet Ball Stop – Compression Inlet

Part Listing:

- KTCR1900X R1 1/2" nom compression x 3/8" OD compression x 1/4" OD compression, rough brass, window tray
- KTCR1901X R1 1/2" nom compression x 3/8" OD compression x 3/8" OD compression, rough brass, window tray

PART DIMENSIONS (Inches)				
Model	DIM. A	DIM. B	DIM. C	DIM. D
KTCR1900X	1.21	2.17	2.40	.94
KTCR1901X	1.21	2.24	2.40	.94



Listings & Certifications:

- IAPMO listed to ASME A112.18.1 / CSA B125.1 (includes NSF/ANSI 372 and NSF61)



This specification and all information contained herein is the confidential and exclusive property of Brasscraft Manufacturing Company and shall not be disclosed to others without the written consent of Brasscraft Mfg. Co. This specification must be returned to Brasscraft Mfg. Co. if requested.