


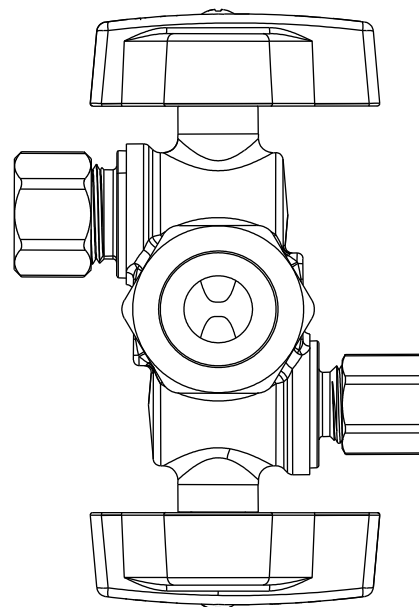
Job Name		Engineer / Architect	
Job Location		Wholesaler	
Submittal Date		Contractor	

KTCR1900/1901DVX 1/4 Turn Dual Outlet, Dual Shut-Off Ball Stop – Compression Inlet

Use: For use only in potable water distribution systems, hot and cold, in accessible locations only.

Design Features:

- **Machined brass ball** is specially engineered and mated with PTFE seats to provide smooth operation
- **Two high-performance o-rings** withstand high temperatures
- **Forged one-piece brass body** provides strength, durability, and long-lasting performance
- **Brass stems** are assembled from the inside out with two o-rings to ensure safe, reliable performance
- **Plated stems** provide corrosion resistance and prevent o-ring damage
- **Metal handle** is designed for durability, corrosion resistance, and a sleek appearance
- **Easy-to-remove handle** with screw attachment helps protect against accidental stop operation during rough-ins
- **100% leak tested**
- 



Operating Specifications:

Temperature: 40°- 180° F
Pressure: 125 PSI maximum

STOP MATERIAL SPECIFICATIONS	
Body	Brass
Stem	Brass, plated
Ball	Brass, plated
Seats	PTFE
Stem o-ring	Rubber
Handle	Zinc die cast, plated
Screw	Steel, zinc plated
Compression Sleeve	Brass
Compression Nut	Brass, plated

This specification and all information contained herein is the confidential and exclusive property of Brasscraft Manufacturing Company, and shall not be disclosed to others without the written consent of Brasscraft Mfg. Co. This specification must be returned to Brasscraft Mfg. Co. if requested.

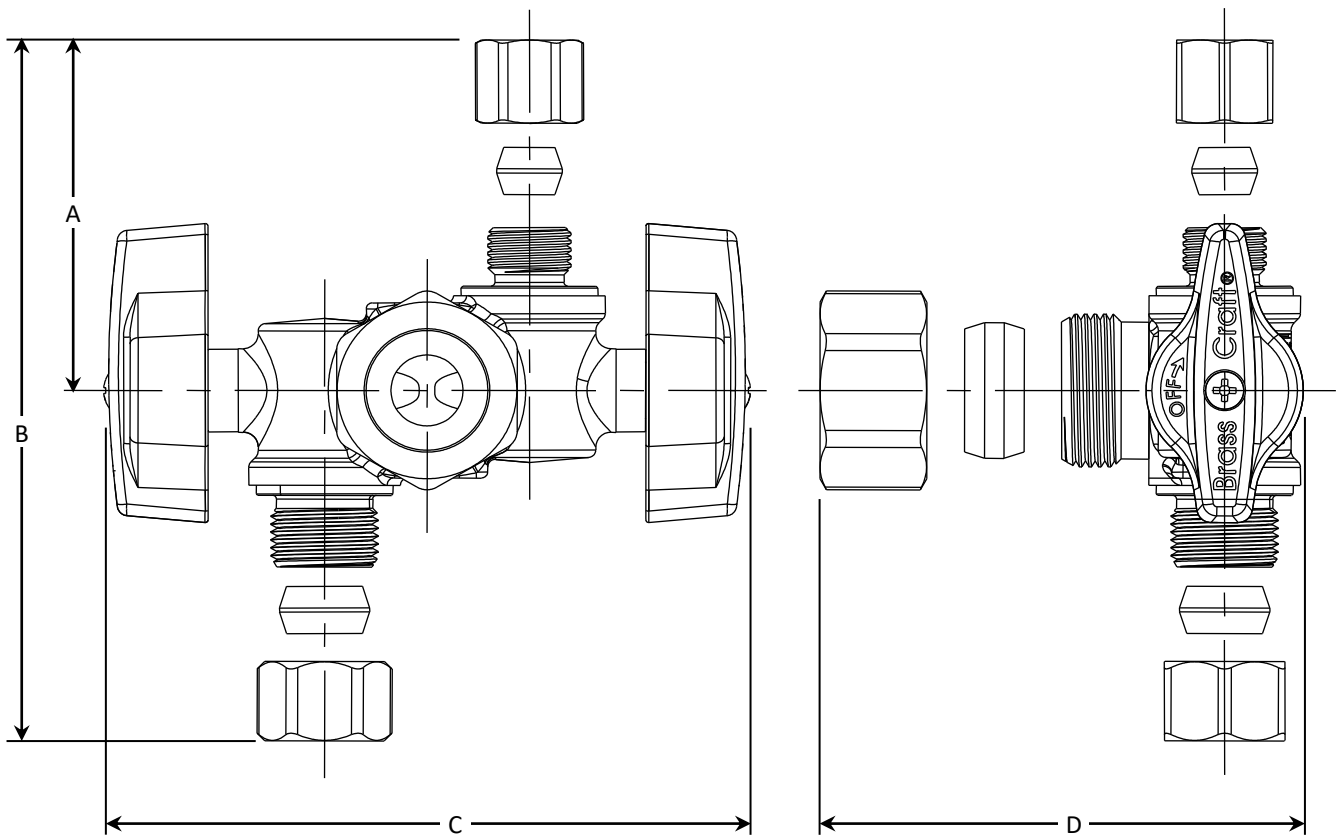


KTCR1900/1901DVX 1/4 Turn Dual Outlet, Dual Shut-Off Ball Stop – Compression Inlet

Part Listing:

- KTCR1900DVX R 1/2" nom compression x 3/8" OD compression x 1/4" OD compression, rough brass
- KTCR1900DVX R1 1/2" nom compression x 3/8" OD compression x 1/4" OD compression, rough brass, window tray
- KTCR1900DVX RD 1/2" nom compression x 3/8" OD compression x 1/4" OD compression, rough brass, carded
- KTCR1901DVX R 1/2" nom compression x 3/8" OD compression x 3/8" OD compression, rough brass
- KTCR1901DVX R1 1/2" nom compression x 3/8" OD compression x 3/8" OD compression, rough brass, window tray

PART DIMENSIONS (Inches)				
Model	DIM. A	DIM. B	DIM. C	DIM. D
KTCR1900DVX	1.14	2.34	3.35	1.54
KTCR1901DVX	1.14	2.41	3.35	1.54



Listings & Certifications:

- IAPMO listed to ASME A112.18.1 / CSA B125.1 (includes NSF/ANSI 372 and NSF61)



This specification and all information contained herein is the confidential and exclusive property of Brasscraft Manufacturing Company, and shall not be disclosed to others without the written consent of Brasscraft Mfg. Co. This specification must be returned to Brasscraft Mfg. Co. if requested.

