

For Residential and Commercial Applications

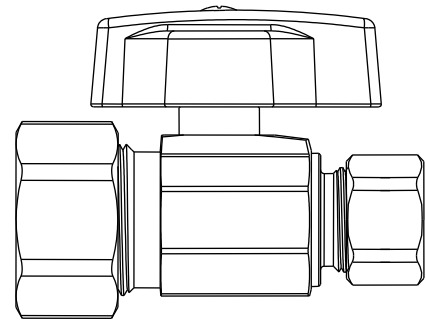
Job Name		Engineer / Architect	
Job Location		Wholesaler	
Submittal Date		Contractor	

KTCR04/11/14/34X 1/4 Turn Straight Stop – Compression x Compression

Use: For use in potable water distribution systems in accessible locations only.

Design Features:

- **Precision-machined brass ball** is specially engineered and mated with PTFE seats to provide smooth operation
- **Two high-performance o-rings** withstand high temperatures and corrosion
- **Machined one-piece brass body** provides strength, durability, and long-lasting performance
- **Brass stem** is assembled from the inside out with two o-rings to ensure safe, reliable performance
- **Plated stem** provides corrosion resistance and prevents o-ring damage
- **Metal handle** is designed for durability, corrosion resistance, and a sleek appearance
- **Easy-to-remove handle** with screw attachment helps protect against accidental stop operation during rough-ins
- **100% leak tested**
-



Operating Specifications:

Temperature: 40° - 180° F
Pressure: 125 PSI maximum

STOP MATERIAL SPECIFICATIONS	
Body	<i>Brass, plated</i>
Stem	<i>Brass, plated</i>
Seat	<i>PTFE</i>
Ball	<i>Brass, plated</i>
Stem O-ring	<i>Rubber</i>
Handle	<i>Zinc, die cast plated</i>
Screw	<i>Steel, zinc plated</i>
Compression Sleeve	<i>Brass</i>
Compression Nut	<i>Brass, plated</i>

This specification and all information contained herein is the confidential and exclusive property of Brasscraft Manufacturing Company and shall not be disclosed to others without the written consent of Brasscraft Mfg. Co. This specification must be returned to Brasscraft Mfg. Co. if requested.

400.02 KTCR11/04/14/34X 1/4 Turn Straight Stop - Comp x Comp REV 9.19



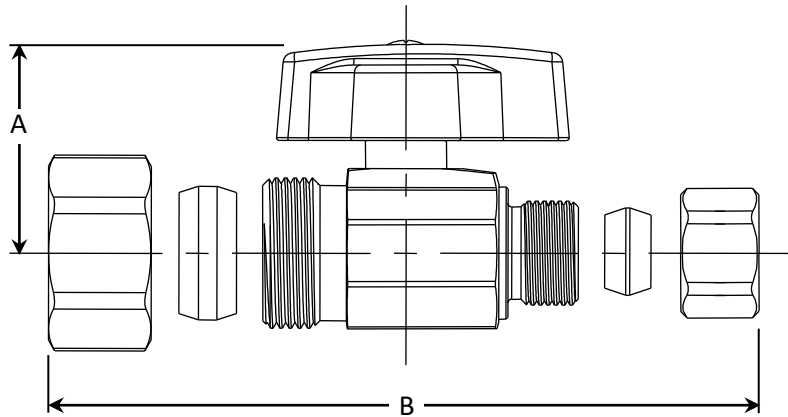
©2019 Brasscraft Manufacturing Company

KTCR04/11/14/34X 1/4 Turn Straight Stop – Compression x Compression

Part Listing:

- KTCR04X R 1/2" nom compression x 1/4" OD compression, rough brass
- KTCR11X C 1/4" nom compression x 3/8" OD compression, chrome plated
- KTCR11FX C 3/8" OD female compression x 3/8" OD compression, chrome plated
- KTCR11FX C1 3/8" OD female compression x 3/8" OD compression, chrome plated, window tray
- KTCR14X C 1/2" nom compression x 3/8" OD compression, chrome plated
- KTCR14X C1 1/2" nom compression x 3/8" OD compression, chrome plated, window tray
- KTCR34X C 1/2" nom compression x 1/2" OD compression, chrome plated

PART DIMENSIONS (Inches)		
Model	DIM. A	DIM. B
KTCR04X	1.14	2.31
KTCR11X	1.14	2.28
KTCR11FX	1.14	2.28
KTCR14X	1.14	2.32
KTCR34X	1.14	2.44



Listings & Certifications:

- IAPMO listed to ASME A112.18.1 / CSA B125.1 (includes NSF/ANSI 372 and NSF61)



This specification and all information contained herein is the confidential and exclusive property of Brasscraft Manufacturing Company and shall not be disclosed to others without the written consent of Brasscraft Mfg. Co. This specification must be returned to Brasscraft Mfg. Co. if requested.

BrassCraft®