


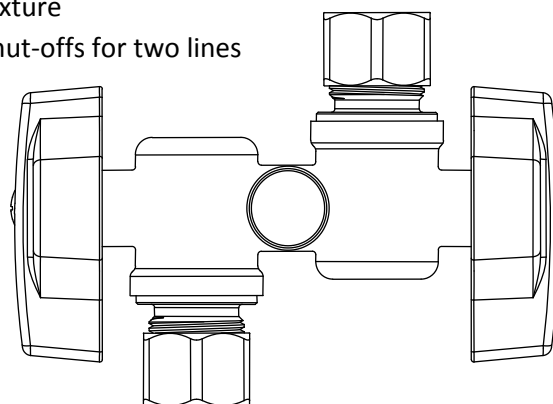
Job Name		Engineer / Architect	
Job Location		Wholesaler	
Submittal Date		Contractor	

KTBRPX1901DVX 1/4 Turn Dual Outlet, Dual Shut-Off Ball Stop – Crimp Barb Inlet (for PEX)

Use: For use in potable water distribution systems in accessible locations only.

Design Features:

- **Independent flow control.** Dual outlet, dual shut-off operation permits water flow to be controlled at one fixture while maintaining flow to the other fixture
- **Code approved replacement** for areas requiring separate shut-offs for two lines
- **Machined brass ball** is specially engineered and mated with fluorocarbon seats to provide smooth operation without freeze ups even after long periods of non-use
- **Two high-performance o-rings** withstand high temperatures and corrosion from harsh water environments
- **Forged one-piece brass body** provides strength, durability, and long-lasting performance
- **Brass stems** are assembled from the inside out with two o-rings to ensure safe, reliable performance
- **Plated stems** provide corrosion resistance and prevent o-ring damage after long periods of non-use
- **Exclusive, metal handles** are designed for durability, corrosion resistance, and a sleek appearance
- **Easy-to-remove handles** with screw attachments help protect against accidental stop operation during rough-ins
- **100% Leak tested**
- **PEX end** designed to ASTM F1807
- **For use with** ASTM F876 PEX tubing, in ASTM F877 water distribution systems using ASTM F1807, and/or F2098 connection methods
-  **No Lead**



Operating Specifications:

Temperature: 40° - 180° F
Pressure: 125 PSI maximum

MATERIAL SPECIFICATIONS	
Body	Brass
Stem	Brass, plated
Seats	Fluorocarbon
Ball	Brass, plated
O-ring	Rubber
Handle	Zinc die-cast
Handle Screw	Zinc-plated steel
Compression Nut	Brass, chrome plated
Compression Sleeve	Brass

This specification and all information contained herein is the confidential and exclusive property of BrassCraft Manufacturing, and shall not be disclosed to others without the written consent of BrassCraft Mfg. This specification must be returned to BrassCraft Mfg. if requested.

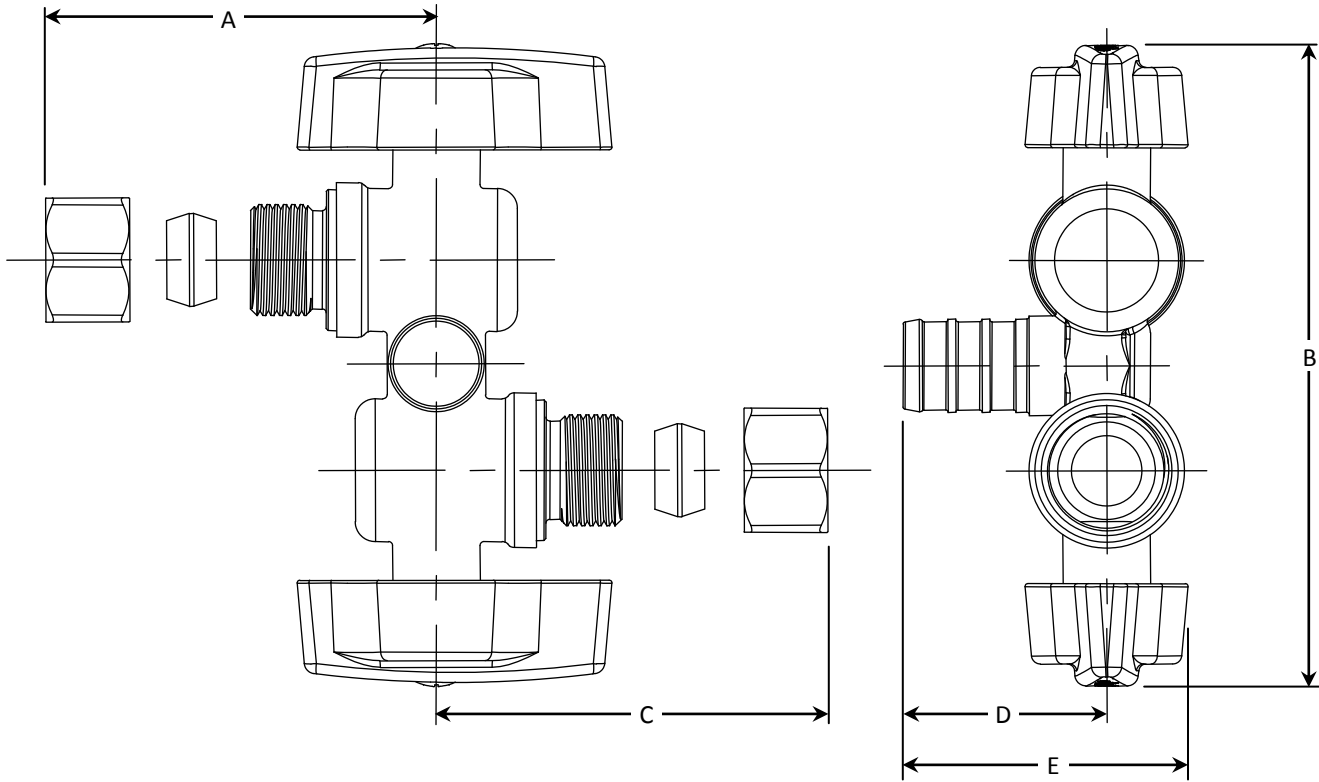


KTBRPX1901DVX 1/4 Turn Dual Outlet, Dual Shut-Off Ball Stop – Crimp Barb Inlet (for PEX)

Part Listing:

- KTBRPX1901DVX R 1/2" nom crimp barb (for PEX) x 3/8" OD compression x 3/8" OD compression, rough brass
- KTBRPX1901DVX R1 1/2" nom crimp barb (for PEX) x 3/8" OD compression x 3/8" OD compression, rough brass, window tray

PART DIMENSIONS (Inches)					
Model	DIM. A	DIM. B	DIM. C	DIM. D	DIM. E
KTBRPX1901DVX	1.12	3.35	1.12	1.02	1.43



Listings & Certifications:

- IAPMO listed to ASME A112.18.1 / CSA B125.1 (Including NSF 61 and NSF 372)(File 0645)
- CSA listed to ASME A112.18.1 / CSA B125.1 (Including NSF 61 and NSF 372)(File 204593)
- No-lead product CSA listed to NSF 372 (Class 6853-01)



This specification and all information contained herein is the confidential and exclusive property of BrassCraft Manufacturing, and shall not be disclosed to others without the written consent of BrassCraft Mfg. This specification must be returned to BrassCraft Mfg. if requested.

BrassCraft®