

*For Residential and Commercial Applications*

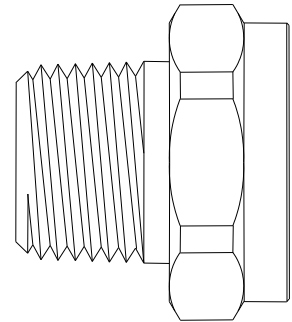
Job Name		Engineer / Architect	
Job Location		Wholesaler	
Submittal Date		Contractor	

## HU21 Series Male Iron Pipe x Female Hose Thread Adaptor

**Use:** For use with residential and commercial grade garden hose. All female hose thread connections require a rubber washer (sold separately) inserted prior to installation.

**Operating Specifications:**

- Temperature:** -35° to 100° F
- Working Pressure:** 75 PSI Max. (Not to exceed 150 PSI)

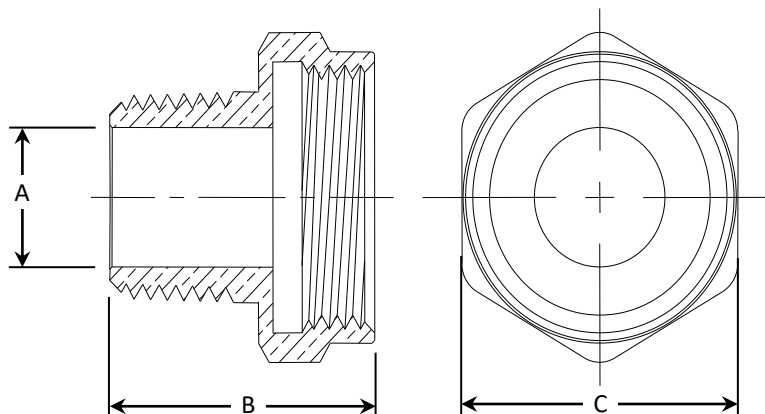


FITTING MATERIAL SPECIFICATIONS	
<b>Body</b>	Brass

PART DIMENSIONS (Inches)			
Model	DIA. A	DIM. B	HEX. C
HU21-8-12	.561	1.14	1-3/16
HU21-12-12	.750	1.16	1-3/16

**Part Listing:**

- HU21-8-12      1/2" MIP x 3/4" female hose thread (3/4-11-1/2 thread)
- HU21-8-12 B    1/2" MIP x 3/4" female hose thread (3/4-11-1/2 thread), bulk
- HU21-12-12     3/4" MIP x 3/4" female hose thread (3/4-11-1/2 thread)
- HU21-12-12 B   3/4" MIP x 3/4" female hose thread (3/4-11-1/2 thread), bulk



*This specification and all information contained herein is the confidential and exclusive property of Brasscraft Manufacturing Company and shall not be disclosed to others without the written consent of Brasscraft Mfg. Co. This specification must be returned to Brasscraft Mfg. Co. if requested.*

