

For Residential and Commercial Applications

Job Name		Engineer / Architect	
Job Location		Wholesaler	
Submittal Date		Contractor	

HU125 Series Hose Barb to Male Hose Thread Adaptor

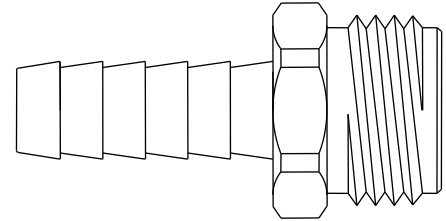
Use: Use hose barb to connect plastic or rubber tubing; installation requires a hose clamp. Use male hose threads to connect to residential and commercial grade garden hoses. Hose thread connection requires a rubber washer (PS2338) inserted prior to installation.

Design Features:



Operating Specifications:

- Temperature:** -35° to 100° F
- Working Pressure:** 75 PSI maximum, Intermittent to 150 PSI



Standard Product

Low-lead Product

FITTING MATERIAL SPECIFICATIONS	
Body	Brass

FITTING MATERIAL SPECIFICATIONS	
Body	Low-lead brass

Standard Part Listing:

- HU125-8-12 1/2" ID hose barb x 3/4" male hose thread
- HU125-8-12 B 1/2" ID hose barb x 3/4" male hose thread, bulk
- HU125-10-12 5/8" ID hose barb x 3/4" male hose thread
- HU125-10-12 B 5/8" ID hose barb x 3/4" male hose thread, bulk
- HU125-12-12 3/4" ID hose barb x 3/4" male hose thread
- HU125-12-12 B 3/4" ID hose barb x 3/4" male hose thread, bulk

Low-lead Part Listing:

- HU125-8-12X 1/2" ID hose barb x 3/4" male hose thread
- HU125-8-12X B 1/2" ID hose barb x 3/4" male hose thread, bulk
- HU125-10-12X 5/8" ID hose barb x 3/4" male hose thread
- HU125-10-12X B 5/8" ID hose barb x 3/4" male hose thread, bulk
- HU125-12-12X 3/4" ID hose barb x 3/4" male hose thread
- HU125-12-12X B 3/4" ID hose barb x 3/4" male hose thread, bulk

This specification and all information contained herein is the confidential and exclusive property of Brasscraft Manufacturing Company and shall not be disclosed to others without the written consent of Brasscraft Mfg. Co. This specification must be returned to Brasscraft Mfg. Co. if requested.

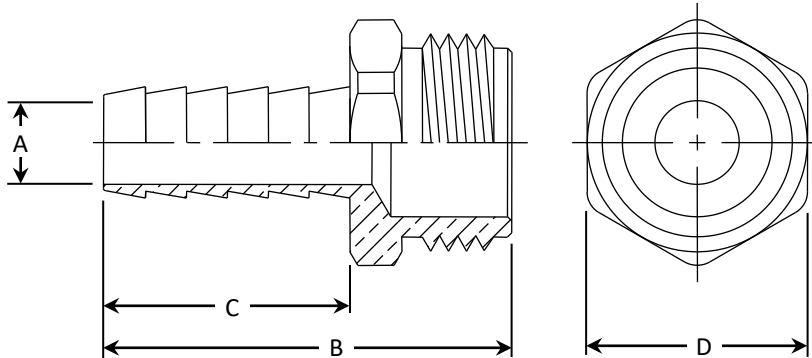
HU125 Series Hose Barb to Male Hose Thread Adaptor

Standard Product

PART DIMENSIONS (Inches)					
Model	Hose Thread	DIA. A	DIM. B	DIM. C	HEX. D
HU125-8-12	3/4-11-1/2	.406	1.97	1.19	1-1/16
HU125-10-12	3/4-11-1/2	.531	1.97	1.19	1-1/16
HU125-12-12	3/4-11-1/2	.625	1.96	1.19	1-1/16

Low-lead Product

PART DIMENSIONS (Inches)					
Model	Hose Thread	DIA. A	DIM. B	DIM. C	HEX. D
HU125-8-12X	3/4-11-1/2	.406	1.97	1.19	1-1/16
HU125-10-12X	3/4-11-1/2	.531	1.97	1.19	1-1/16
HU125-12-12X	3/4-11-1/2	.625	1.96	1.19	1-1/16



This specification and all information contained herein is the confidential and exclusive property of Brasscraft Manufacturing Company and shall not be disclosed to others without the written consent of Brasscraft Mfg. Co. This specification must be returned to Brasscraft Mfg. Co. if requested.