

For Residential and Commercial Applications

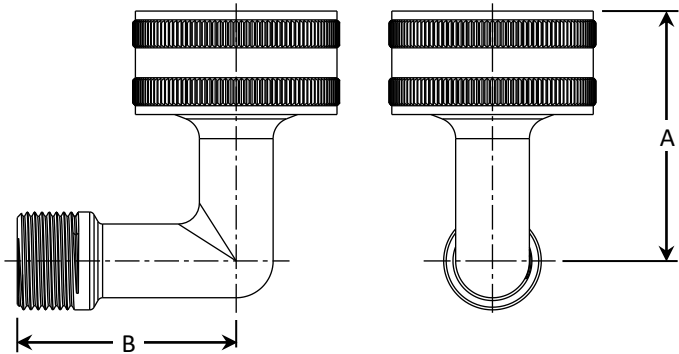
Job Name		Engineer / Architect	
Job Location		Wholesaler	
Submittal Date		Contractor	

HES Series Garden Hose Dishwasher Fitting – Female Hose Thread x Compression

Use: To connect Whirlpool, Maytag, Amana, Kitchen Aid, and Jenn-Air dishwashers manufactured after September 2009 to flexible water connector. All female hose thread connections require a rubber washer inserted prior to installation.

Design Features:

- **One-piece brass body** provides strength, durability, and longer-lasting performance
- **Swivel hose thread nut** simplifies fitting alignment to make the water connector installation quick and easy
- **High-temperature resistant washer** for a reliable, longer-lasting performance
-



Operating Specifications:

Temperature: 40° to 140° F, intermittent to 180° F
Working Pressure: 125 PSI maximum

Low-lead Product

FITTING MATERIAL SPECIFICATIONS	
Body	Low-lead brass
Hose Nut	Low-lead brass
Hose Washer	Rubber

PART DIMENSIONS (Inches)		
Model	DIM. A	DIM. B
HES-6-12X	1.43	1.25
HES-8-12X	1.43	1.25
HES6-12WNMX	1.43	1.25

Low-lead Part Listing:

- HES-6-12X 3/4" female hose thread, swivel x 3/8" OD compression, rough brass
- HES-6-12X B 3/4" female hose thread, swivel x 3/8" OD compression, rough brass, bulk
- HES-6-12X B1 3/4" female hose thread, swivel x 3/8" OD compression, rough brass, bulk
- HES-6-12X D 3/4" female hose thread, swivel x 3/8" OD compression, rough brass, carded
- HES-6-12WNMX 3/4" female hose thread, swivel x 3/8" OD compression, w/ nut and sleeve, rough brass, carded
- HES-8-12X 3/4" female hose thread, swivel x 1/2" OD compression, rough brass

This specification and all information contained herein is the confidential and exclusive property of Brasscraft Manufacturing Company and shall not be disclosed to others without the written consent of Brasscraft Mfg. Co. This specification must be returned to Brasscraft Mfg. Co. if requested.

