

For Residential and Commercial Applications

Job Name		Engineer / Architect	
Job Location		Wholesaler	
Submittal Date		Contractor	

G2PS19B120DLX Braided One-Piece Toilet Supply Kit – 1/4 Turn Angle Stop Push Connect x Compression

Use: For use in potable water distribution systems in accessible locations only. Not intended for recirculating systems that produce continuous use temperatures above 115° F. For those applications, use our KT™ series supply kits.

Design Features:

- **Everything you need.** These kits combine our trusted supply stop, braided water connector, and escutcheon for an easy-to-install, one-piece connection.
-

Braided connector provides:

- **Corrosion resistance** to harsh chemicals found in most common household cleaning and plumbing repair products
- **More flexible than stainless steel**, the braided polymer-coated fibers bend freely without kinking or crimping
- **Rubber washers** provide a large pliable sealing surface and ensures a long lasting water tight connection

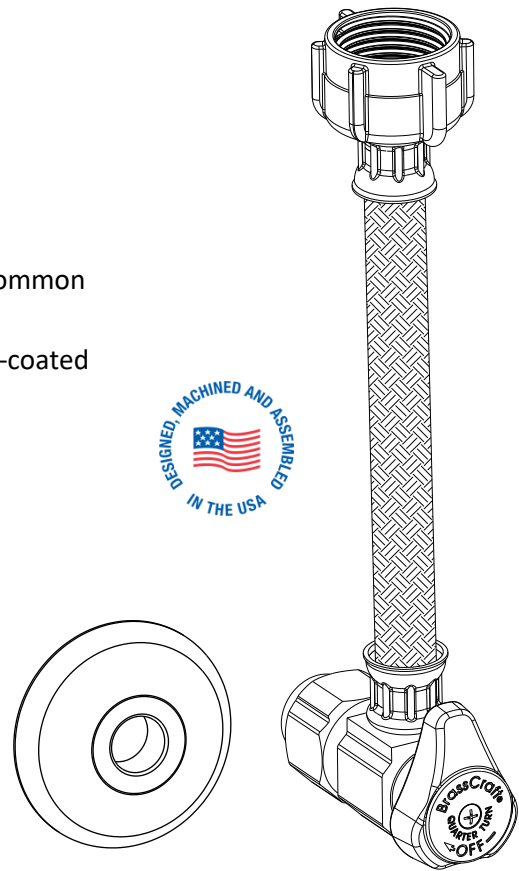
G2™ quarter turn stop provides:

- **Compatible with** PEX, copper, and CPVC.
- **Pre-inserted tube stiffener** is “installation ready” for a faster connection
- **Compact machined** one-piece body design
- **Fast,** reliable, secure
- **Smooth** 1/4 turn operation

Operating Specifications:

Temperature: 40° - 160° F, intermittent to 180° F
Pressure: 125 PSI maximum

Tube Diameter: 0.300" ID (0.517" OD)



Includes 1/2" nom shallow escutcheon (see 649 submittal form for details)

This specification and all information contained herein is the confidential and exclusive property of Brasscraft Manufacturing Company and shall not be disclosed to others without the written consent of Brasscraft Mfg Co. This specification must be returned to Brasscraft Mfg. Co. if requested.

G2PS19B120DLX Braided One-Piece Toilet Supply Kit – 1/4 Turn Angle Stop Push Connect x Compression

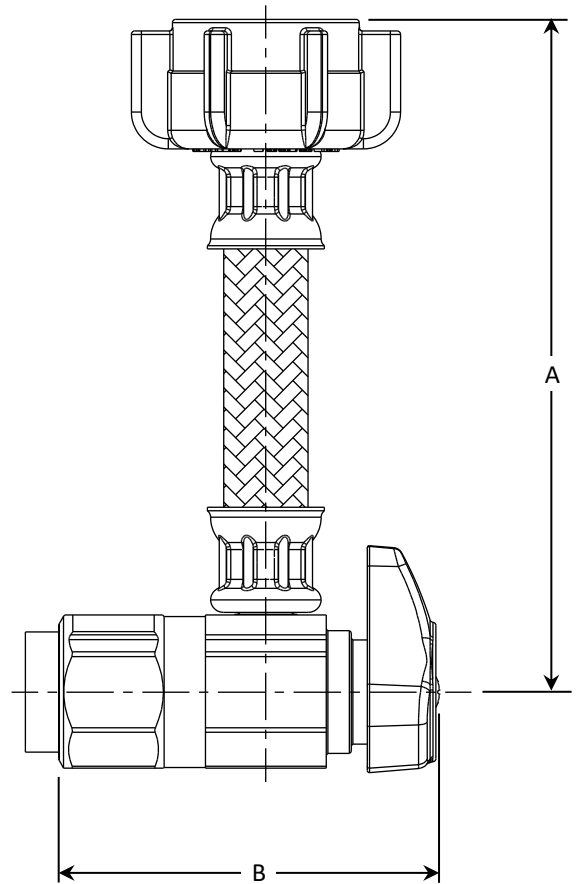
CONNECTOR MATERIAL SPECIFICATIONS	
Inner Hose	Reinforced PVC
Braiding	PVC yarn
Barb	Brass
Ferrules	Steel, zinc plated
Nut	Brass, plated
Washer	Rubber
O-Ring	Rubber

STOP MATERIAL SPECIFICATIONS	
Body	Brass, plated
Stem Barrel	TPE
Stem Shaft	Polypropylene
Stem O-Ring	Rubber
Handle	ABS, plated or zinc die cast, plated
Handle Screw	Steel, zinc plated
Shallow Escutcheon	Stainless steel

Part Listing:

- G2PS19B120DLX F 1/2" nom push connect x 7/8" ballcock nut x 12" length braided connector, shallow escutcheon, chrome finish
- G2PS19B120DLX D 1/2" nom push connect x 7/8" ballcock nut x 12" length braided connector, shallow escutcheon, chrome finish, carded

PART DIMENSIONS (Inches)		
Model	DIM. A	DIM. B
G2PS19B120DLX	12.00 / 12.50	2.27



Listings & Certifications:

- IAPMO listed to ASME A112.18.1 / CSA B125.1 (includes NSF/ANSI372 and NSF61)



This specification and all information contained herein is the confidential and exclusive property of Brasscraft Manufacturing Company and shall not be disclosed to others without the written consent of Brasscraft Mfg Co. This specification must be returned to Brasscraft Mfg. Co. if requested.

BrassCraft®