


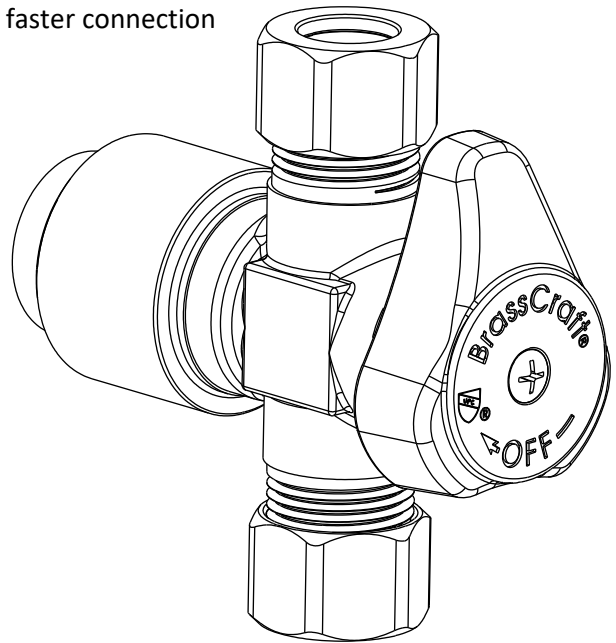
Job Name		Engineer / Architect	
Job Location		Wholesaler	
Submittal Date		Contractor	

G2PS1901X 1/4 Turn Push Connect Angle Stop – Dual Compression Outlet

Use: For use in potable water distribution systems in accessible locations only. Not intended for recirculation systems/continuous use temperatures above 115° F. For those applications, use our KT™ series ball stop.

Design Features:

- **One-piece, shut-off mechanism** provides smooth on-off operation
- **Pre-assembled tube insert** is “installation ready” for a faster connection
- **Compatible with** PEX, copper, and CPVC
- **Fast, reliable, and secure connection**
- **Positive 1/4 turn** shut-off
- **Easy-to-remove handle** helps protect against accidental operation during rough-ins
- **Available in** push connect x compression and push connect x push connect configurations
- **100% leak tested**
- 



Operating Specifications:

Temperature: 40° - 160° F
Pressure: 125 PSI maximum

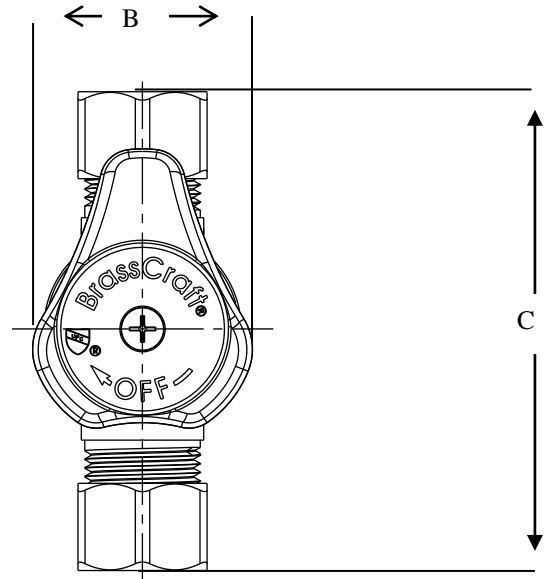
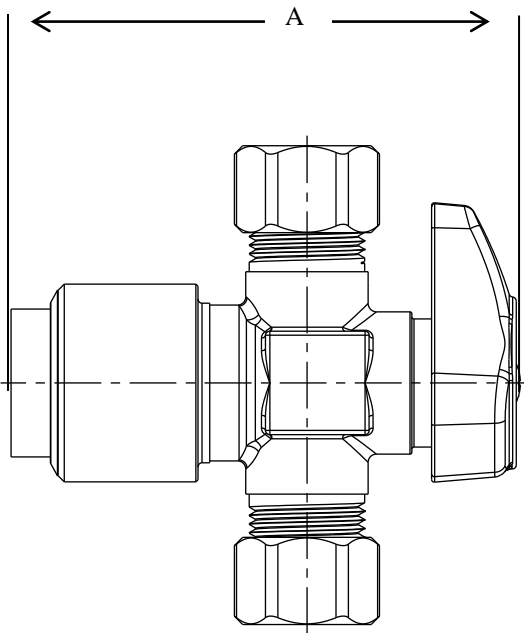
STOP MATERIAL SPECIFICATIONS	
Body	Brass
Stem Barrel	TPE
Stem Shaft	Glass-filled polypropylene
Stem O-ring	Rubber
Handle	ABS, plated or zinc die cast, plated
Handle Screw	Steel, zinc plated
Compression Nut	Brass
Compression Sleeve	Brass
Gripper Ring	Stainless steel
Tube Stiffener	POM
Removal Collet	Glass-filled nylon
Push connect O-ring	Rubber

Part Listing:

- G2PS1901X R1 1/2" nom push connect x 3/8" OD compression x 3/8" OD compression, rough brass, dual outlet

G2PS1901X 1/4 Turn Push Connect Angle Stop – Dual Compression Outlet

<i>PART DIMENSIONS (Inches)</i>			
<i>Model</i>	<i>DIM. A</i>	<i>DIM. B</i>	<i>DIM. C</i>
G2PS1901X	2.46	1.06	2.31



Listings & Certifications:

- IAPMO listed to ASME A112.18.1 / CSA B125.1 (includes NSF/ANSI 372 and NSF61)



This specification and all information contained herein is the confidential and exclusive property of Brasscraft Manufacturing Company and shall not be disclosed to others without the written consent of Brasscraft Mfg. Co. This specification must be returned to Brasscraft Mfg. Co. if requested.