

For Residential and Commercial Applications

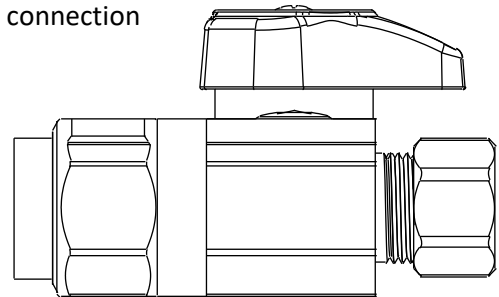
Job Name		Engineer / Architect	
Job Location		Wholesaler	
Submittal Date		Contractor	

G2PS14X 1/4 Turn Push Connect Straight Stop - Compression Outlet

Use: For use in potable water distribution systems in accessible locations only. Not intended for recirculation systems/continuous use temperatures above 115° F. For those applications, use our KT™ series ball stop.

Design Features:

- **Compatible with** PEX, copper, and CPVC.
- **Pre-inserted tube stiffener** is “installation ready” for a faster connection
- **Compact machined** one-piece body design
- **Fast, reliable, secure**
- **Smooth** 1/4 turn operation
- **100% leak tested**
-

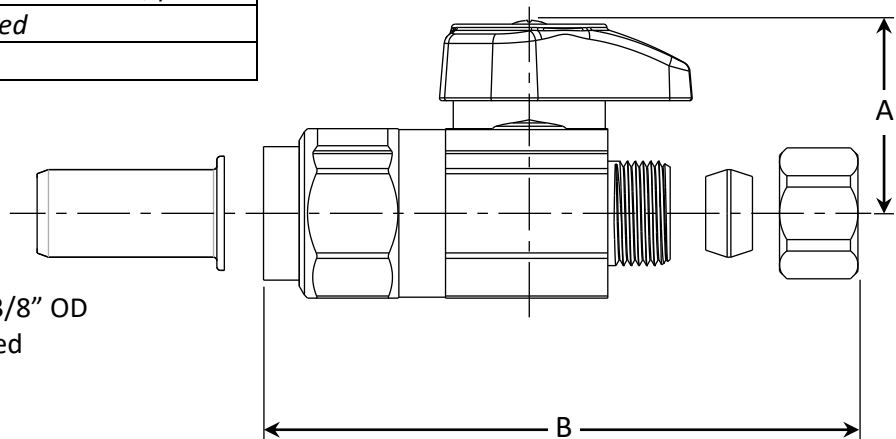


Operating Specifications:

Temperature: 40° - 160° F
Pressure: 125 PSI maximum

STOP MATERIAL SPECIFICATIONS	
Body	Brass, plated
Stem Barrel	TPE
Stem Shaft	Glass-filled polypropylene
Stem O-ring	EPDM
Gripper Ring	Stainless steel
Push connect O-ring	EPDM
Tube Stiffener	POM
Removal Collet	Glass-filled nylon
Handle	ABS, plated or zinc die cast, plated
Screw	Steel, zinc plated
Compression Nut & Sleeve	Brass

PART DIMENSIONS (Inches)		
Model	DIM. A	DIM. B
G2PS14X	1.03	2.45



Part Listing:

- G2PS14X C 1/2" nom push connect x 3/8" OD compression, chrome plated

Listings & Certifications:



This specification and all information contained herein is the confidential and exclusive property of Brasscraft Manufacturing Company and shall not be disclosed to others without the written consent of Brasscraft Mfg. Co. This specification must be returned to Brasscraft Mfg. Co. if requested.

BrassCraft®

- IAPMO listed to ASME A112.18.1 / CSA B125.1

(includes NSF/ANSI 372 and NSF61)