

For Residential and Commercial Applications

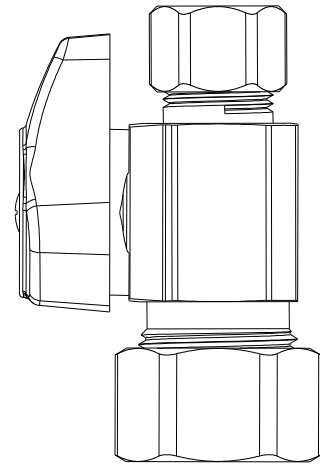
Job Name		Engineer / Architect	
Job Location		Wholesaler	
Submittal Date		Contractor	

G2CR11/14/34X 1/4 Turn Straight Stop – Compression x Compression

Use: For use in potable water distribution systems in accessible locations only. Not intended for recirculation systems/continuous use temperatures above 115° F. For those applications, use our KT™ series ball stop.

Design Features:

- **One-piece shut-off mechanism** provides smooth on-off operation
- **Positive 1/4 turn** shut off
- **Corrosion-resistant handle** is plated in an attractive chrome finish
- **Machined one-piece brass body** provides strength, durability, and long-lasting performance
- **Easy-to-remove handle** with screw attachment helps protect against accidental operation during rough-ins
- **100% leak tested**
- **For use with** ASTM F876 PEX tubing, in ASTM F877 water distribution systems (parts containing PXX only)
- **✓**



Operating Specifications:

Temperature: 40° - 160° F
Pressure: 125 PSI maximum

STOP MATERIAL SPECIFICATIONS	
Body	Brass
Stem Barrel	TPE
Stem Shaft	Engineered polymer
O-ring	Rubber
Handle	ABS, plated or zinc die cast, plated
Handle Screw	Steel, zinc plated
Compression Nut	Brass, plated
Compression Sleeve	Brass
PEX Insert*	Stainless steel



*Where specified

Part Listing:

- G2CR11X C 1/4" nom compression x 3/8" OD compression, chrome plated
- G2CR11X CD 1/4" nom compression x 3/8" OD compression, chrome plated, carded
- G2CR11X C1 1/4" nom compression x 3/8" OD compression, chrome plated, window box
- G2CR14X C 1/2" nom compression x 3/8" OD compression, chrome plated
- G2CR14X CD 1/2" nom compression x 3/8" OD compression, chrome plated, carded
- G2CR14X C1 1/2" nom compression x 3/8" OD compression, chrome plated, window box

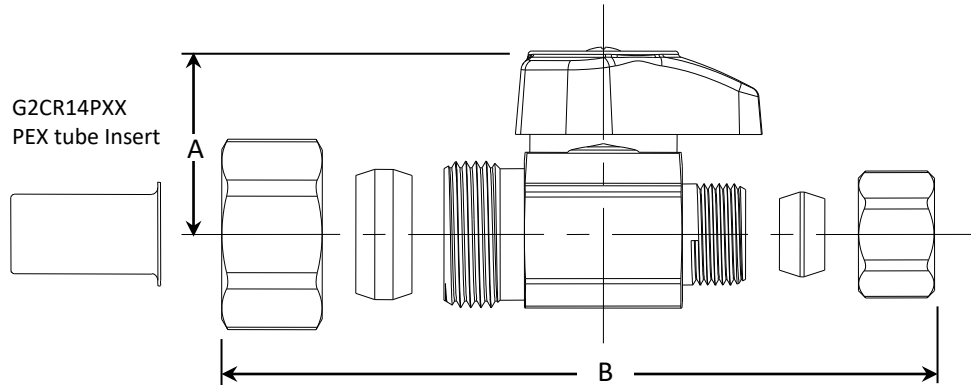
This specification and all information contained herein is the confidential and exclusive property of Brasscraft Manufacturing Company and shall not be disclosed to others without the written consent of Brasscraft Mfg. Co. This specification must be returned to Brasscraft Mfg. Co. if requested.

G2CR11/14/34X 1/4 Turn Straight Stop – Compression x Compression

Part Listing (con't):

- G2CR14X R 1/2" nom compression x 3/8" OD compression, chrome plated, rough brass
- G2CR14PXX C 1/2" nom compression w/ PEX stainless steel insert x 3/8" OD compression, chrome plated
- G2CR34X C 1/2" nom compression x 1/2" OD compression, chrome plated
- G2CR34X CD 1/2" nom compression x 1/2" OD compression, chrome plated, carded
- G2CR34X C1 1/2" nom compression x 1/2" OD compression, chrome plated, window box
- G2CR34X R 1/2" nom compression x 1/2" OD compression, rough brass

PART DIMENSIONS (Inches)		
Model	DIM. A	DIM. B
G2CR11X	1.03	2.06
G2CR14X	1.03	2.28
G2CR14PXX	1.03	2.28
G2CR34X	1.03	2.38



Listings & Certifications:

- IAPMO listed to ASME A112.18.1 / CSA B125.1 (includes NSF/ANSI 372 and NSF61)



This specification and all information contained herein is the confidential and exclusive property of Brasscraft Manufacturing Company and shall not be disclosed to others without the written consent of Brasscraft Mfg. Co. This specification must be returned to Brasscraft Mfg. Co. if requested.

BrassCraft®