

Job Name		Engineer / Architect	
Job Location		Wholesaler	
Submittal Date		Contractor	

G2CR1912DL Copper Toilet Supply Kit – 1/4 Turn Compression Angle Stop

Use: For use in potable water distribution systems in accessible locations only. Not intended for recirculating water systems that produce continuous use temperatures above 115° F. For those applications, use our KT™ series ball stop supply kits.

Design Features:

- **Everything you need.** These kits combine our trusted supply stop, copper riser, and escutcheon for an easy-to-install connection



Copper riser provides:

- **One-piece** construction
- **Cut-to-length** for a clean, professional installation

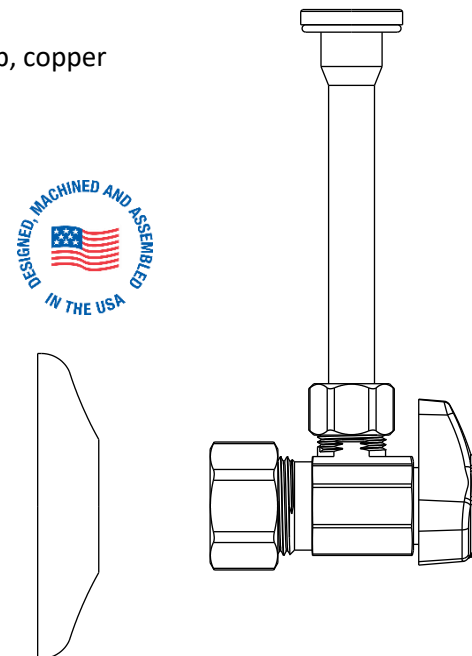
G2° 1/4 turn stop provides:

- **One-piece shut-off mechanism** provides smooth on-off operation
- **Positive 1/4 turn shut-off**

Operating Specifications:

Temperature: 40° - 160° F
Pressure: 125 PSI maximum

Tubing Diameter: .38" OD



CONNECTOR MATERIAL SPECIFICATIONS

Tube	<i>Copper, plated</i>
Nosepiece	<i>Rubber</i>
Escutcheon	<i>Stainless steel</i>

STOP MATERIAL SPECIFICATIONS

Body	<i>Brass, plated</i>
Stem Barrel	<i>TPE</i>
Stem Shaft	<i>Polypropylene</i>
Stem O-ring	<i>Rubber</i>
Handle	<i>ABS, plated or zinc die cast, plated</i>
Handle Screw	<i>Steel, zinc plated</i>
Compression Nut	<i>Brass, chrome plated</i>
Compression Sleeve	<i>Brass</i>

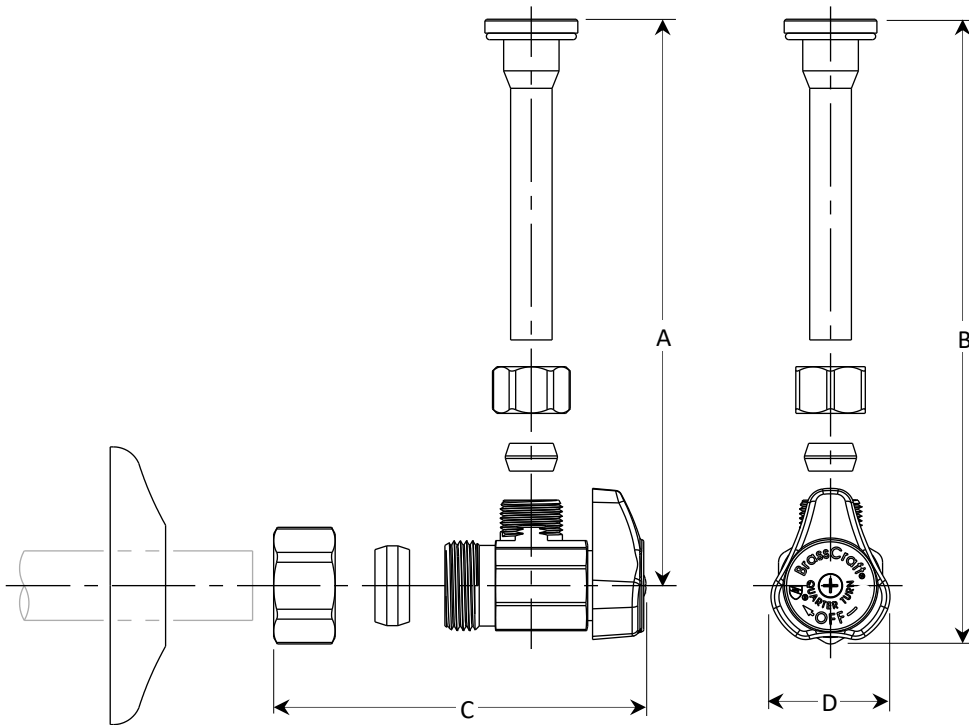
This specification and all information contained herein is the confidential and exclusive property of Brasscraft Manufacturing Company and shall not be disclosed to others without the written consent of Brasscraft Mfg. Co. This specification must be returned to Brasscraft Mfg. Co. if requested.



G2CR1912DL Copper Toilet Supply Kit – 1/4 Turn Compression Angle Stop

- G2CR1912DLX C 1/2" nom compression x 3/8" OD compression quarter-turn stop with 3/8" OD tube x 11-1/2" length riser, shallow escutcheon, chrome

PART DIMENSIONS (Inches)				
Model	DIM. A	DIM. B	DIM. C	DIM. D
G2CR1912DLX	12.25 / 12.75	12.75 / 13.25	2.16	1.07



Listings & Certifications:

- IAPMO listed to ASME A112.18.1/CSA B125.1 (includes NSF/ANSI372 and NSF61)



This specification and all information contained herein is the confidential and exclusive property of Brasscraft Manufacturing Company and shall not be disclosed to others without the written consent of Brasscraft Mfg. Co. This specification must be returned to BrassCraft Mfg. Co. if requested.

BrassCraft®