

**For Residential and Commercial Applications**

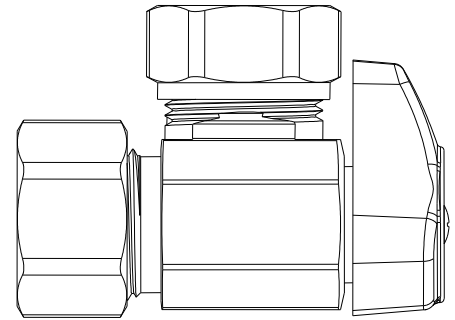
Job Name		Engineer / Architect	
Job Location		Wholesaler	
Submittal Date		Contractor	

## G23341X 1/4 Turn Angle Stop – Compression x Slip-Joint

**Use:** For use in potable water distribution systems in accessible locations only. Not intended for recirculation systems/continuous use temperatures above 115° F. For those applications, use our KT™ series ball stop.

**Design Features:**

- **One-piece shut-off mechanism** provides smooth on-off operation
- **Positive 1/4 turn shut-off**
- **Corrosion-resistant handle** is plated in an attractive chrome finish
- **Machined one-piece brass body** provides strength, durability, and long-lasting performance
- **Easy-to-remove handle** with screw attachment helps protect against accidental operation during rough-ins
- **100% leak tested**
- 

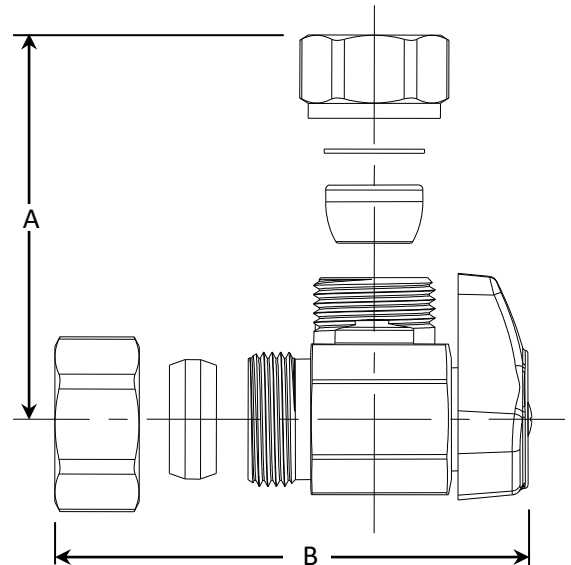


PART DIMENSIONS (Inches)		
Model	DIM. A	DIM. B
G23341X	1.19	2.28

**Operating Specifications:**

**Temperature:** 40° - 160° F  
**Pressure:** 125 PSI maximum

STOP MATERIAL SPECIFICATIONS	
<b>Body</b>	Brass, plated
<b>Stem Barrel</b>	TPE
<b>Stem Shaft</b>	Engineered polymer
<b>Stem O-ring</b>	Rubber
<b>Handle</b>	ABS, plated or zinc die cast, plated
<b>Screw</b>	Steel, zinc plated
<b>Nuts</b>	Brass, plated
<b>Slip-joint Washer</b>	Rubber
<b>Friction Rings</b>	Brass
<b>Compression Sleeve</b>	Brass



**Part Listing:**

- G23341X C 1/2" nom compression x 7/16" & 1/2" slip-joint, chrome plated
- G23341X CD 1/2" nom compression x 7/16" & 1/2" slip-joint, chrome plated, carded
- G23341X C1 1/2" nom compression x 7/16" & 1/2" slip-joint, chrome plated, window tray

**Listings & Certifications:**

- IAPMO listed to ASME A112.18.1 / CSA B125.1 (includes NSF/ANSI 372 and NSF61)



*This specification and all information contained herein is the confidential and exclusive property of Brasscraft Manufacturing Company and shall not be disclosed to others without the written consent of Brasscraft Mfg. Co. This specification must be returned to Brasscraft Mfg. Co. if requested.*

**BrassCraft®**