

For Residential and Commercial Applications

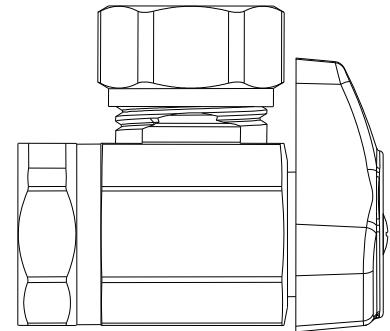
Job Name		Engineer / Architect	
Job Location		Wholesaler	
Submittal Date		Contractor	

G23301X 1/4 Turn Angle Stop – Female Iron Pipe x Slip-Joint

Use: For use in potable water distribution systems in accessible locations only. Not intended for recirculation systems/continuous use temperatures above 115° F. For those applications, use our KT™ series ball stop.

Design Features:

- **One-piece shut-off mechanism** provides smooth on-off operation
- **Positive 1/4 turn shut-off**
- **Corrosion-resistant handle** is plated in an attractive chrome finish
- **Machined one-piece brass body** provides strength, durability, and long-lasting performance
- **Easy-to-remove handle** with screw attachment helps protect against accidental operation during rough-ins
- **100% leak tested**
-

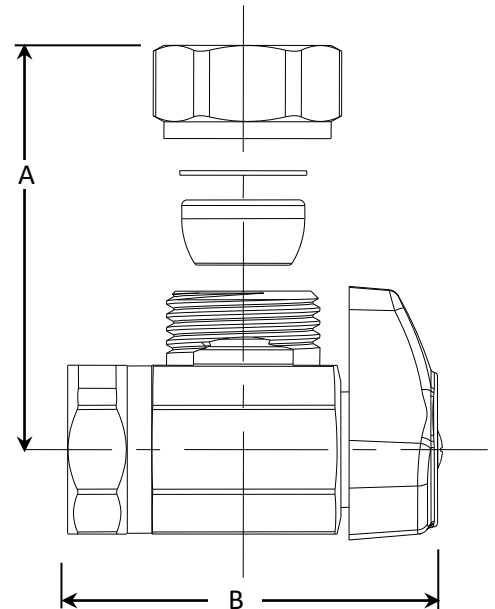


PART DIMENSIONS (Inches)		
Model	DIM. A	DIM. B
G23301X	1.14	1.95

Operating Specifications:

Temperature: 40° - 160° F
Pressure: 125 PSI maximum

STOP MATERIAL SPECIFICATIONS	
Body	Brass, plated
Stem Barrel	TPE
Stem Shaft	Glass-filled polypropylene
Stem O-ring	Rubber
Handle	ABS, plated or zinc die cast, plated
Screw	Steel, zinc plated
Slip Joint Washer	Rubber
Slip Joint Nut	Brass, plated
Friction Rings	Brass



Part Listing:

- G23301X C 1/2" FIP x 7/16" & 1/2" slip-joint, chrome plated
- G23301X CD 1/2" FIP x 7/16" & 1/2" slip-joint, chrome plated, carded
- G23301X C1 1/2" FIP x 7/16" & 1/2" slip-joint, chrome plated, window box

Listings & Certifications:

- IAPMO listed to ASME A112.18.1 / CSA B125.1 (includes NSF/ANSI 372 and NSF61)



This specification and all information contained herein is the confidential and exclusive property of Brasscraft Manufacturing Company and shall not be disclosed to others without the written consent of Brasscraft Mfg. Co. This specification must be returned to Brasscraft Mfg. Co. if requested.