

For Residential and Commercial Applications

Job Name		Engineer / Architect	
Job Location		Wholesaler	
Submittal Date		Contractor	

FF209 Series Female Iron Pipe x Female Iron Pipe Shut-off Cock

Use: For use with low pressure air, water, gas and fluids (lubricant may not be compatible with some fluids)

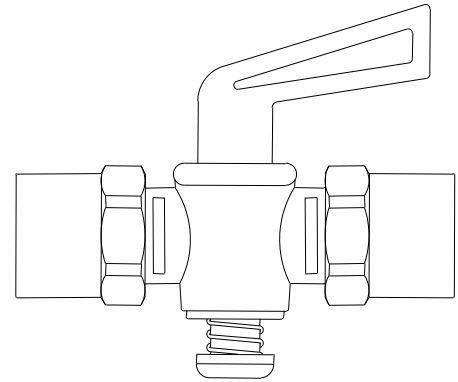
Design Features:

- **Forged one-piece brass body** provides strength, durability and long-lasting performance
- **Brass handle** provides a secure grip and smooth on/off operation

Operating Specifications:

Temperature: 32° F to 125° F

Working Pressure: 30 PSI



FITTING MATERIAL SPECIFICATIONS

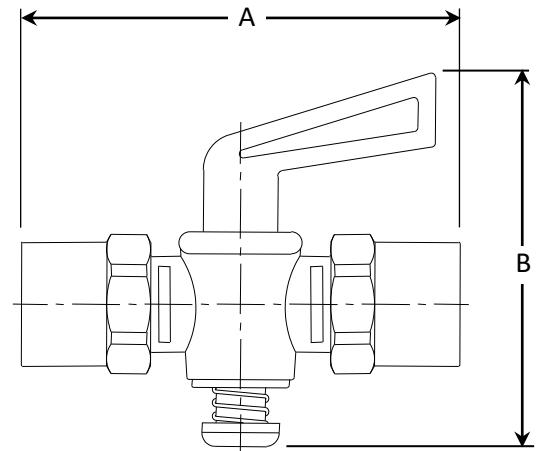
Body	Brass
Handle/Stem	Brass
Handle Screw	Steel
Spring	Steel
Washer	Steel

PART DIMENSIONS (Inches)

Model	DIM. A	DIM. B
FF209-2	1.48	1.85
FF209-4	2.29	1.85
FF209-6	2.30	2.00

Part Listing:

- FF209-2 1/8" FIP x 1/8" FIP
- FF209-4 1/4" FIP x 1/4" FIP
- FF209-6 3/8" FIP x 3/8" FIP



This specification and all information contained herein is the confidential and exclusive property of Brasscraft Manufacturing Company and shall not be disclosed to others without the written consent of Brasscraft Mfg. Co. This specification must be returned to Brasscraft Mfg. Co. if requested.