

For Residential and Commercial Applications

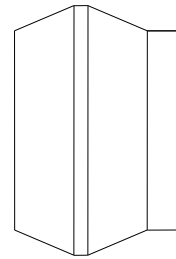
Job Name		Engineer / Architect	
Job Location		Wholesaler	
Submittal Date		Contractor	

CSP Series Compression Plugs

Use: For use with instrumentation, hydraulic, and pneumatic systems. Designed for use with aluminum, copper, and plastic tubing. Not intended for use with steel tubing.

Design Features:

- **Little to no tube preparation.** Compression fittings do not require flaring, soldering or other types of tube preparation
- **Available in a broad range of sizes**



Operating Specifications:

- Temperature:** -65° - 250° F at maximum operating pressures
- Working Pressure:** See chart below
- Vibration:** Fair vibration resistance



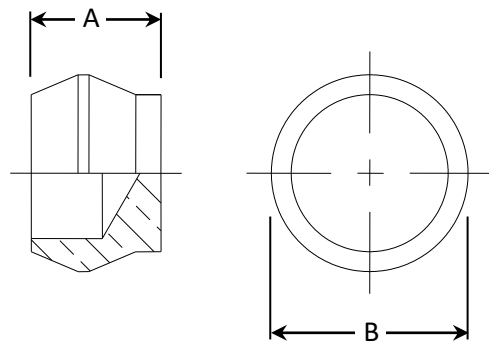
FITTING MATERIAL SPECIFICATIONS	
Compression Plug	Brass

PART DIMENSIONS (Inches)		
Model	DIM. A	DIA. B
CSP-4	.31	.34
CSP-6	.31	.47
CSP-8	.34	.59
CSP-10	.34	.72

WORKING PRESSURE		
PSI	Tube O.D.	Tube Wall (Inches)
300	1/4	0.030
200	3/8	0.032
200	1/2	0.032
150	5/8	0.035

Part Listing:

- CSP-4 For 1/4" OD tube
- CSP-4 B For 1/4" OD tube, bulk
- CSP-6 For 3/8" OD tube
- CSP-6 B For 3/8" OD tube, bulk
- CSP-8 For 1/2" OD tube
- CSP-8 B For 1/2" OD tube, bulk
- CSP-10 For 5/8" OD tube
- CSP-10 B For 5/8" OD tube, bulk



This specification and all information contained herein is the confidential and exclusive property of Brasscraft Manufacturing Company and shall not be disclosed to others without the written consent of Brasscraft Mfg. Co. This specification must be returned to Brasscraft Mfg. Co. if requested.