

For Residential and Commercial Applications

Job Name		Engineer / Architect	
Job Location		Wholesaler	
Submittal Date		Contractor	

CS41X/CS47X Multi-Turn Sweat Straight Stop w/ 5" Extension (Optional Loose Key)

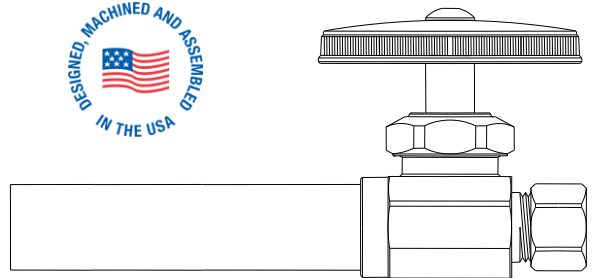
Use: For use with potable water systems in accessible locations only. Not intended for recirculating water systems that produce continuous use temperatures above 115° F. For those applications, use our KT™ series ball stops

Design Features:

- **Machined one-piece brass body** provides strength, durability, and long-lasting performance
- **Easy-to-remove handle** with screw attachment helps protect against accidental stop operation during rough-ins
- **Oval knurled handle** provides a secure grip and smooth on/off operation
-

Operating Specifications:

Temperature: 40° - 160° F
Pressure: 125 PSI maximum



STOP MATERIAL SPECIFICATIONS	
Body	Brass or brass, plated
Stem	Brass or brass, plated
Handle	Zinc die cast, plated
Handle Screw	Steel, zinc plated
Bib & Packing Washer	Rubber
Packing Nut	Brass or brass, plated
Compression Sleeve	Brass
Compression Nut	Brass or brass, plated

Escutcheon	Steel, plated
Loose Key Adaptor	Brass or brass, plated
Loose Key	Zinc die cast
Lock Shield	Brass or brass, plated

Part Listing:

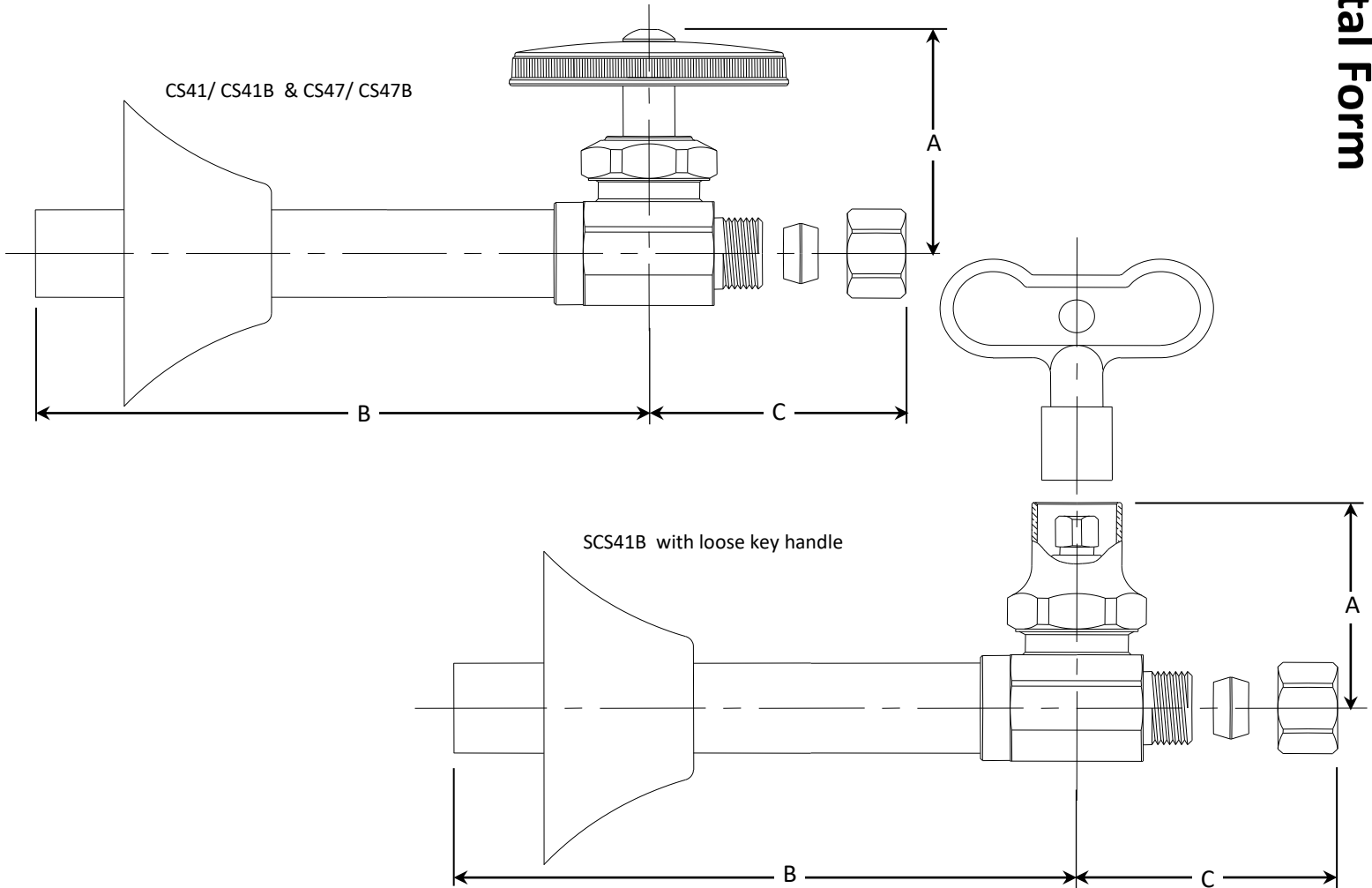
- CS41BX C 1/2" nom sweat x 3/8" OD compression stop, bell escutcheon, chrome
- CS41BX C1 1/2" nom sweat x 3/8" OD compression stop, bell escutcheon, chrome, window tray
- CS41BX CD 1/2" nom sweat x 3/8" OD compression stop, bell escutcheon, chrome, window tray
- CS41BX BRL 1/2" nom sweat x 3/8" OD compression stop, bell escutcheon, polished brass
- CS41BX BZ 1/2" nom sweat x 3/8" OD compression stop, bell escutcheon, oil-rubbed bronze
- CS41BX NP 1/2" nom sweat x 3/8" OD compression stop, bell escutcheon, nickel plated

This specification and all information contained herein is the confidential and exclusive property of BrassCraft Manufacturing Company and shall not be disclosed to others without the written consent of BrassCraft. This specification must be returned to BrassCraft if requested.

CS41X/CS47X Multi-Turn Sweat Straight Stop w/ 5" Extension (Optional Loose Key)

Part Listing Cont.:

- CS41BX NS 1/2" nom sweat x 3/8" OD compression stop, bell escutcheon, satin nickel
- CS41X C 1/2" nom sweat x 3/8" OD compression stop, bell escutcheon, chrome
- CS47X C 1/2" nom sweat x 1/2" OD compression stop, chrome
- CS47BX C 1/2" nom sweat x 1/2" OD compression stop, bell escutcheon, chrome
- SCS41BX C 1/2" nom sweat x 3/8" OD compression stop, bell escutcheon, with loose key, chrome



PART DIMENSIONS (Inches)			
Model	DIM A	DIM B	DIM C
CS41BX	1.75	5.50	1.09
CS41X	1.75	5.50	1.12
CS47X	1.75	5.50	1.12

PART DIMENSIONS (Inches)			
Model	DIM A	DIM B	DIM C
CS47BX	1.75	5.50	1.12
SCS41BX	1.57	5.50	1.09

Listings & Certifications:

- IAPMO listed to ASME A112.18.1 / CSA B125.1 (includes NSF/ANSI372 & NSF61)



This specification and all information contained herein is the confidential and exclusive property of BrassCraft Manufacturing Company and shall not be disclosed to others without the written consent of BrassCraft. This specification must be returned to BrassCraft if requested.