

For Residential and Commercial Applications

Job Name		Engineer / Architect	
Job Location		Wholesaler	
Submittal Date		Contractor	

CD Series Female Iron Pipe x Male Hose Thread Cooler Drain

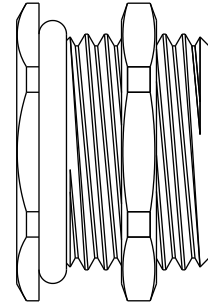
Use: For use on instrumentation, hydraulic, and pneumatic systems. Not intended for natural gas, LPG, nuclear, or aircraft applications.

Design Features:

- **Machined one-piece brass body** provides strength, durability, and long-lasting performance

Operating Specifications:

- Temperature:** -65° F to 250° F
 40° F to 180° F for water applications
- Working Pressure:** 150 PSI maximum

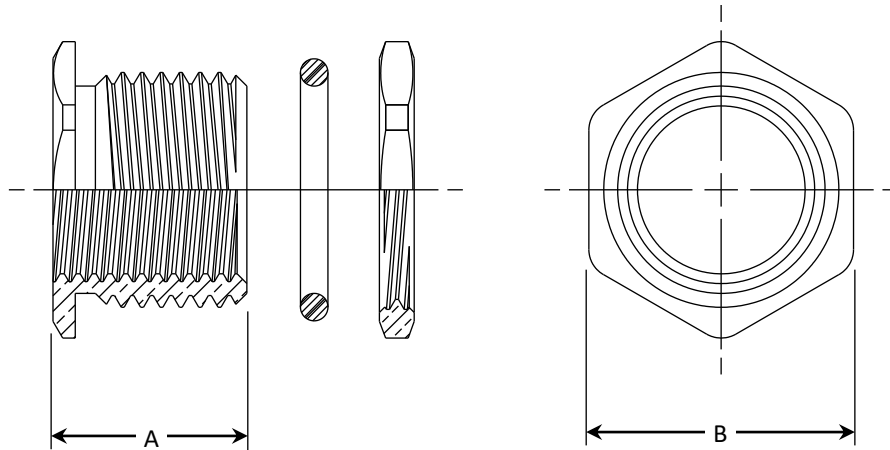


FITTING MATERIAL SPECIFICATIONS	
Body	Brass
Washer	Plastic
Nut	Brass

PART DIMENSIONS (Inches)		
Model	DIM. A	HEX. B
CD-1	.87	1-3/16"

Part Listing:

- CD-1 1/2" FIP x 3/4" male hose thread cooler drain
- CD-1-1 B 1/2" FIP x 3/4" male hose thread cooler drain, body only, bulk



This specification and all information contained herein is the confidential and exclusive property of Brasscraft Manufacturing Company and shall not be disclosed to others without the written consent of Brasscraft Mfg. Co. This specification must be returned to Brasscraft Mfg. Co. if requested.