

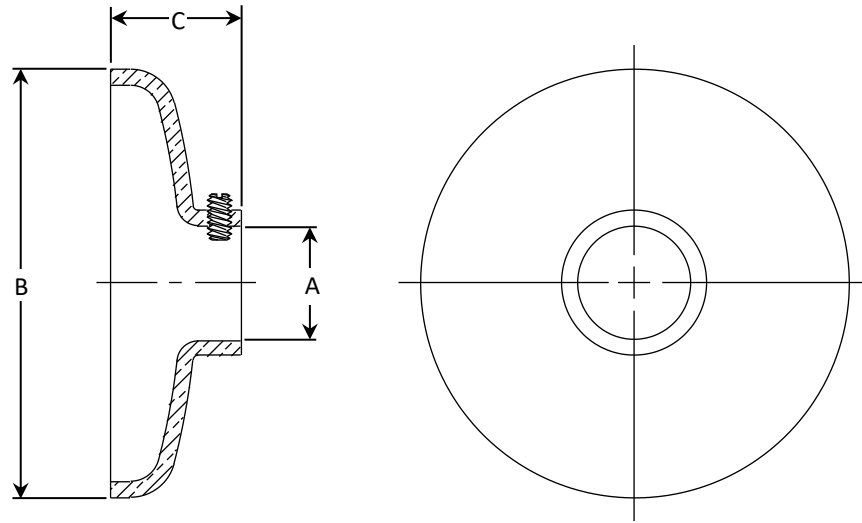
For Residential and Commercial Applications

Job Name		Engineer / Architect	
Job Location		Wholesaler	
Submittal Date		Contractor	

CB646 / CB649 Cast Brass Flange w / Set Screw

Design Features:

- **Attractively conceals** holes in the floor or wall after rough-ins
- **Easy to install**
- **Provided set screw secures flange**



MATERIAL SPECIFICATIONS	
Flange	Brass, plated
Set Screw	Steel, plated

PART DIMENSIONS (Inches)			
Model	DIA. A	DIA. B	DIM. C
CB646 C	.69	2.40	.72
CB649 C	.63	2.40	.73

Part Listing:

- | | | |
|--------------------------|---------|--|
| <input type="checkbox"/> | CB646 C | Cast brass flange w/set screw fits over 3/8" iron pipe (.69 ID), chrome-plated |
| <input type="checkbox"/> | CB649 C | Cast brass flange w/set screw fits over 1/2" nom (.63 ID), chrome-plated |

This specification and all information contained herein is the confidential and exclusive property of Brasscraft Manufacturing Company, and shall not be disclosed to others without the written consent of Brasscraft Mfg. Co. This specification must be returned to Brasscraft Mfg. Co. if requested.