

*For Residential and Commercial Applications*

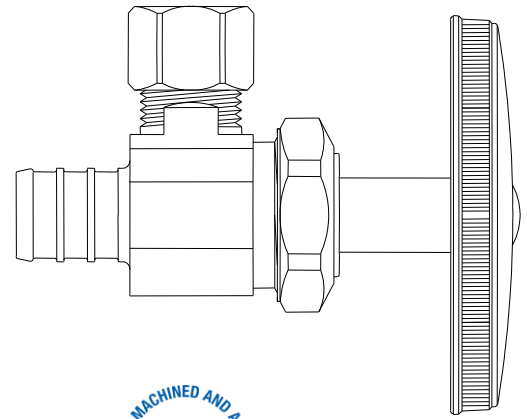
Job Name		Engineer / Architect	
Job Location		Wholesaler	
Submittal Date		Contractor	

## BRPX1901LRX      Multi-Turn Dual Outlet Stop – Barbed PEX (Inlet) x Compression x Compression

**Use:** For use in potable water distribution systems in accessible locations only. Not intended for recirculation systems/continuous use temperatures above 115° F. For those applications, use our KT™ series ball stop.

**Design Features:**

- **Machined one-piece brass body** provides strength, durability, and long-lasting performance
- **Knurled oval handle** provides a secure grip and smooth on/off operation
- **Easy-to-remove handle** with screw attachment helps protect against accidental stop operation during rough-ins
- **PEX end** designed to ASTM F1807
- **For use with** ASTM F876 PEX tubing, in ASTM F877 water distribution systems using ASTM F1807
- 



**Operating Specifications:**

**Temperature:** 40° - 140° F  
**Pressure:** 125 PSI maximum

<b>STOP MATERIAL SPECIFICATIONS</b>	
<b>Body</b>	Brass
<b>Stem</b>	POM
<b>Bib &amp; Packing Washers</b>	Rubber
<b>Packing Nut</b>	Brass
<b>Handle</b>	Polycarbonate
<b>Handle Screw</b>	Steel, plated
<b>Plastic Sleeve</b>	Plastic
<b>Compression Nut</b>	Brass
<b>Compression Sleeve</b>	Brass

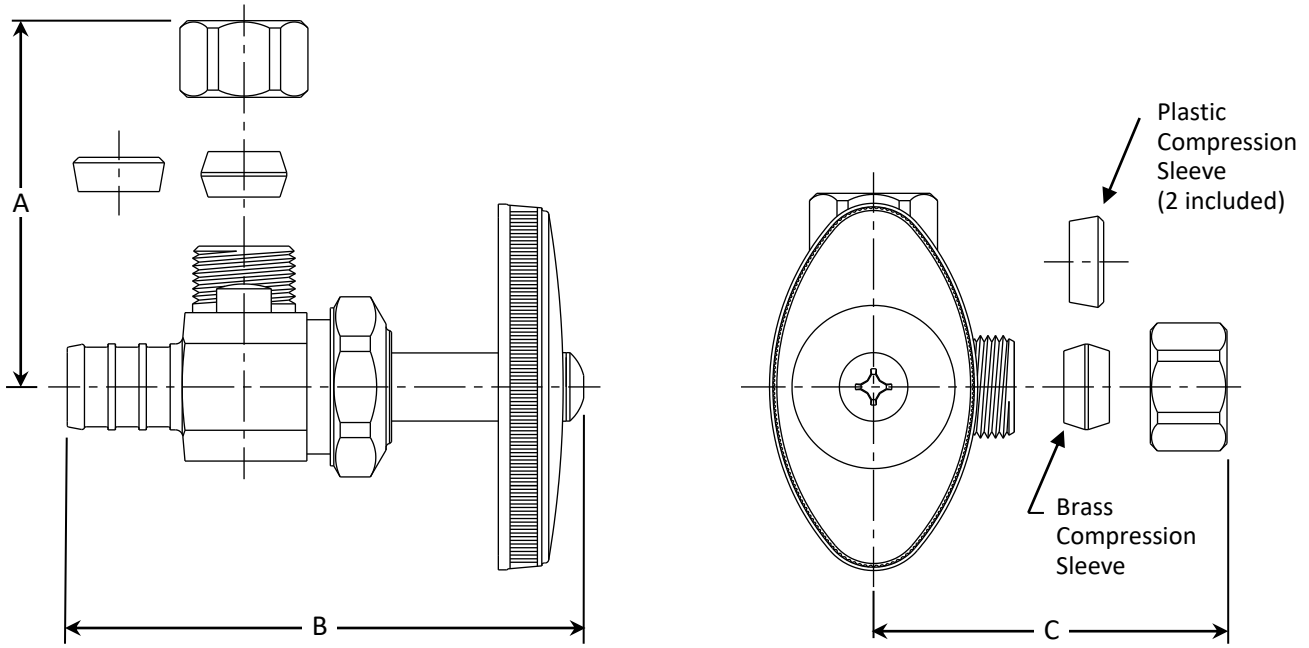
**Part Listing:**

- BRPX1901LRX R1 1/2" nom crimp barb (for PEX) x 3/8" OD compression x 3/8" OD compression, rough brass, window tray

*This specification and all information contained herein is the confidential and exclusive property of Brasscraft Manufacturing Company and shall not be disclosed to others without the written consent of Brasscraft Mfg. Co. This specification must be returned to Brasscraft Mfg. Co. if requested.*

# BRPX1901LRX Multi-Turn Dual Outlet Stop – Barbed PEX (Inlet) x Compression x Compression

PART DIMENSIONS (Inches)			
Model	DIM. A	DIM. B	DIM. C
BRPX1901LR	1.06	2.82	1.06



### Listings & Certifications:

- IAPMO listed to ASME A112.18.1 / CSA B125.1 (includes NSF/ANSI 372 and NSF61)



*This specification and all information contained herein is the confidential and exclusive property of Brasscraft Manufacturing Company and shall not be disclosed to others without the written consent of Brasscraft Mfg. Co. This specification must be returned to Brasscraft Mfg. Co. if requested.*

**BrassCraft®**