

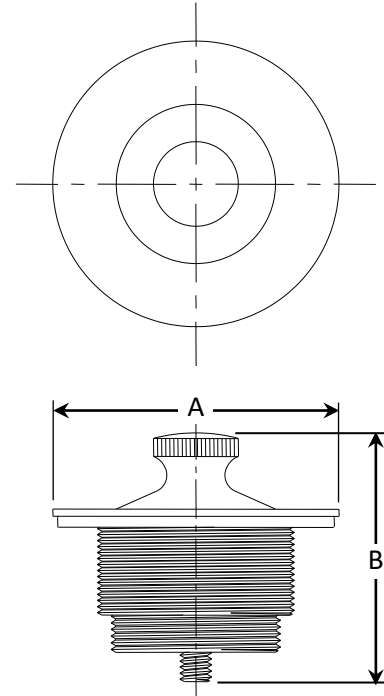
Job Name		Engineer / Architect	
Job Location		Wholesaler	
Submittal Date		Contractor	

BC7223 Lift & Turn Drain Kit - 1-1/2" IPS Coarse Thread

Use: Replacement drain for use with standard tub & showers

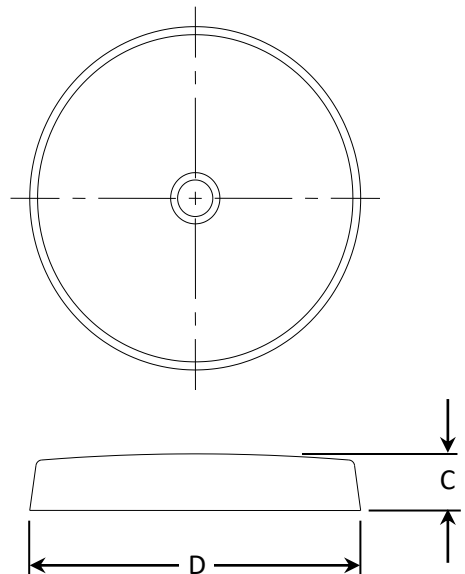
Design Features:

- **Single hole overflow faceplate** provides a clean finish and includes a screw plate
- **Lift and turn stopper** is a low maintenance alternative to antiquated trip lever style drain kit with a reduction in hair collection and no complicated linkage
- **Multiple finishes available** to match most bathroom decor



MATERIAL SPECIFICATIONS	
Drain Body	Plated brass
Washer	Rubber
Stopper	Plated brass
Faceplate	Plated stainless steel
Screw	Zinc plated steel
Screwplate	Plated stainless steel

PART DIMENSIONS (Inches)				
Model	DIA. A	DIM. B	DIM. C	DIA. D
BC7223	2.70	2.35	.52	3.17



Part Listing:

- BC7223 BZ Lift & Turn Drain Kit with single-hole faceplate, screw & plate included, 1-1/2" coarse thread, oil rubbed bronze
- BC7223 NP Lift & Turn Drain Kit with single-hole faceplate, screw & plate included, 1-1/2" coarse thread, polished nickel
- BC7223 NS Lift & Turn Drain Kit with single-hole faceplate, screw & plate included, 1-1/2" coarse thread, satin nickel
- BC7223 P Lift & Turn Drain Kit with single-hole faceplate, screw & plate included, 1-1/2" coarse thread, polished brass