

*For Residential and Commercial Applications*

Job Name		Engineer / Architect	
Job Location		Wholesaler	
Submittal Date		Contractor	

## BC7125      Garbage Disposal Accessory – Flange

**Design Features:**

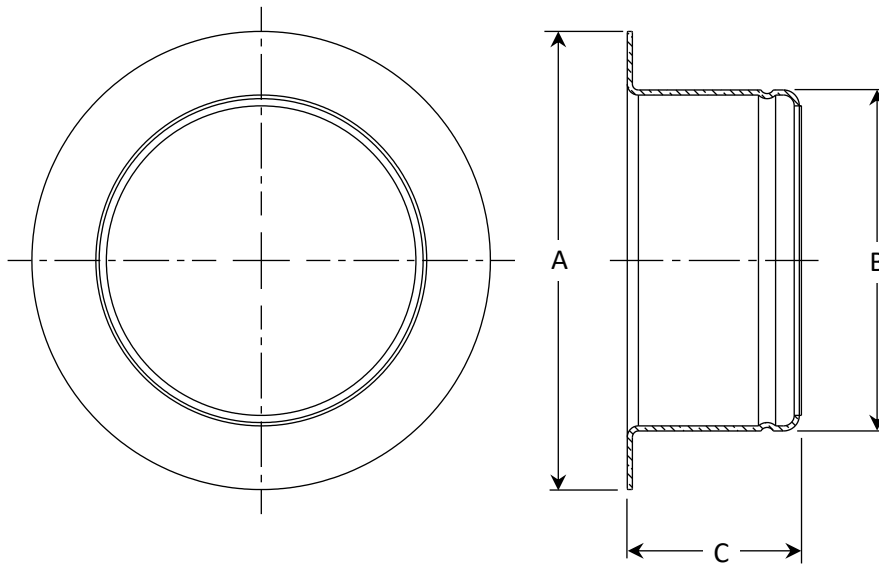
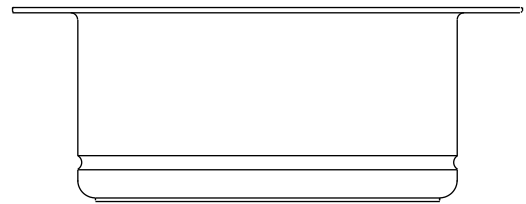
- Easy to install
- Available in several special finishes for brands In-Sink-Erator, KitchenAid, Emerson, Kenmore, and Grainger

**MATERIAL SPECIFICATIONS**

<b>Flange</b>	<i>Brass, plated</i>
---------------	----------------------

**PART DIMENSIONS (Inches)**

<b>Model</b>	<b>DIA. A</b>	<b>DIA. B</b>	<b>DIM. C</b>
BC7125	4.50	3.35	1.71



**Part Listing:**

- BC7125 NS      Garbage disposal flange, satin nickel
- BC7125 BZ      Garbage disposal flange, oil rubbed bronze
- BC7125 SS      Garbage disposal flange, stainless steel PVD
- BC7125 W      Garbage disposal flange, white

*This specification and all information contained herein is the confidential and exclusive property of Brasscraft Manufacturing Company, and shall not be disclosed to others without the written consent of Brasscraft Mfg. Co. This specification must be returned to Brasscraft Mfg. Co. if requested.*

