

For Residential and Commercial Applications

Job Name		Engineer / Architect	
Job Location		Wholesaler	
Submittal Date		Contractor	

B8-**DW Speedi Plumb® PLUS Braided Dishwasher Connector - Female Iron Pipe Inlet

Use: For use in potable water distribution systems in accessible locations only.

Design Features:

- **Engineered polymer braided** fibers bend freely without kinking or crimping
- **Reinforced PVC inner hose** provides added durability
- **Rubber washers** provide a large pliable sealing surface and ensure a long lasting water-tight connection

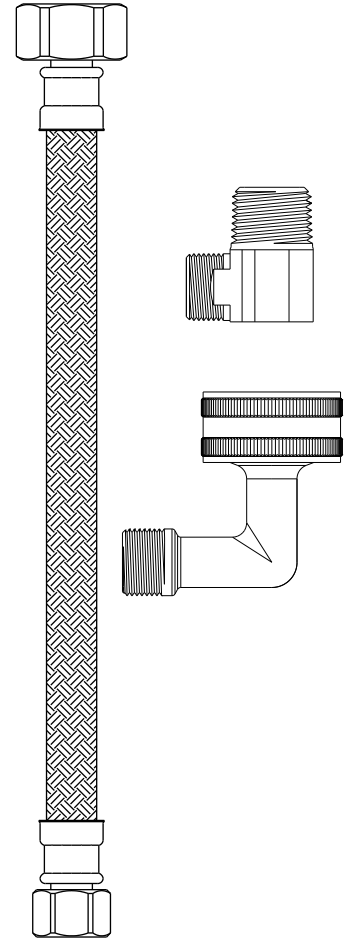


Operating Specifications:

Temperature: 40° to 160° F, intermittent to 180° F

Pressure: 125 PSI maximum

Tubing Diameter: 0.300" ID (0.550" OD)



CONNECTOR MATERIAL SPECIFICATIONS

Inner Hose	<i>Reinforced PVC</i>
Braiding	<i>PVC coated yarn</i>
Barb	<i>Brass</i>
Ferrule	<i>Stainless steel</i>
Nut	<i>Brass, plated or polypropylene</i>
Washer	<i>Rubber</i>
Compression Nut	<i>Brass, plated</i>
MIP Elbow	<i>Brass</i>
Garden Hose Elbow	<i>Brass</i>
Garden Hose Nut	<i>Brass</i>

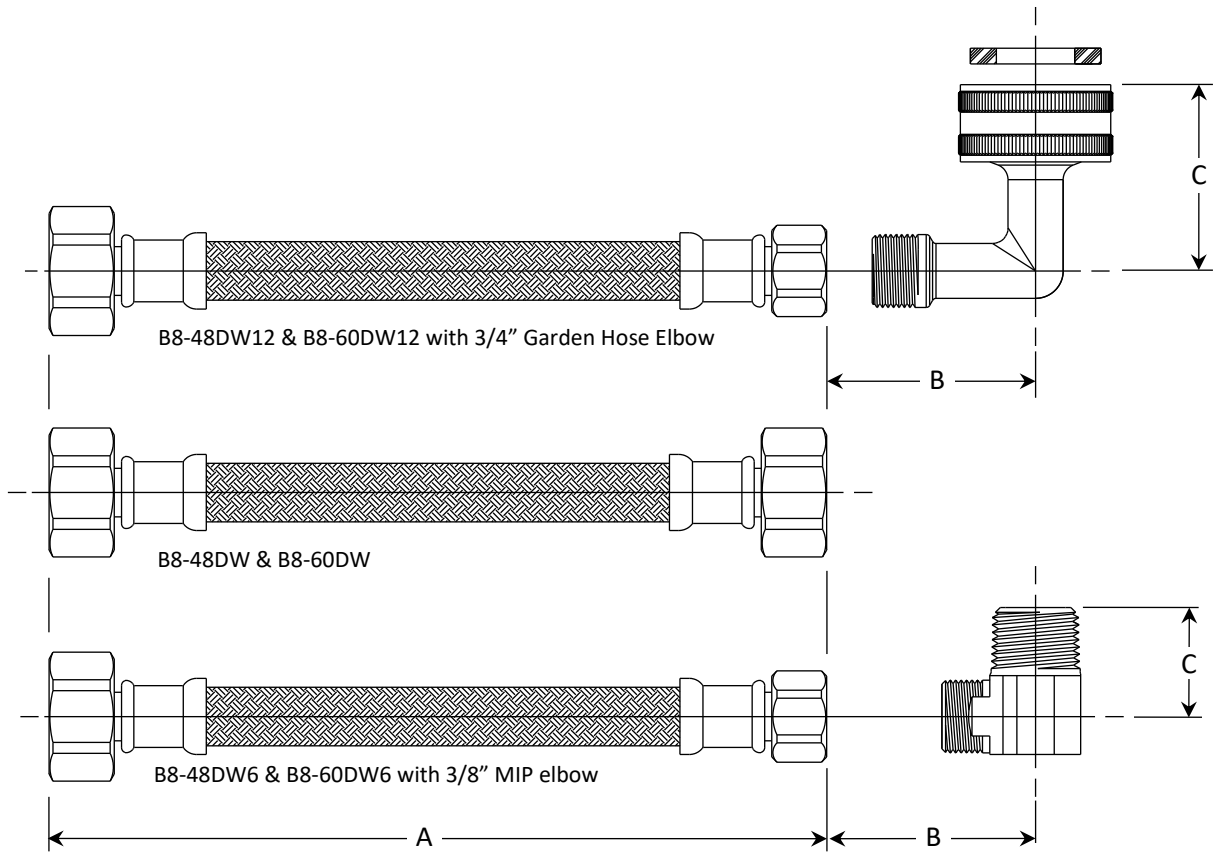
Part Listing:

- B8-48DW F 1/2" FIP x 1/2" FIP x 48" length
- B8-60DW F 1/2" FIP x 1/2" FIP x 60" length
- B8-48DW6 P 1/2" FIP x 3/8" compression with 3/8" MIP elbow x 48" length, bagged
- B8-60DW6 P 1/2" FIP x 3/8" compression with 3/8" MIP elbow x 60" length, bagged

This specification and all information contained herein is the confidential and exclusive property of Brasscraft Manufacturing Company, and shall not be disclosed to others without the written consent of Brasscraft Mfg. Co. This specification must be returned to Brasscraft Mfg. Co. if requested.



B8-**DW Speedi Plumb® PLUS Braided Dishwasher Connector - Female Iron Pipe Inlet



PART DIMENSIONS (Inches)			
Model	DIM. A	DIM. B	DIM. C
B8-48DW	48.0/49.0	N/A	N/A
B8-60DW	60.0/61.0	N/A	N/A
B8-48DW6	48.0/49.0	.72	.84
B8-60DW6	60.0/61.0	.72	.84

Listings & Certifications:

- IAPMO listed to ASME A112.18.6 / CSA B125.6
- IAPMO listed to NSF 372 for Low-Lead Compliance
- IAPMO listed to NSF 61/9



This specification and all information contained herein is the confidential and exclusive property of Brasscraft Manufacturing Company, and shall not be disclosed to others without the written consent of Brasscraft Mfg. Co. This specification must be returned to Brasscraft Mfg. Co. if requested.

BrassCraft®