

*For Residential and Commercial Applications*

Job Name		Engineer / Architect	
Job Location		Wholesaler	
Submittal Date		Contractor	

## AU1 Female Gas Adapter - Male Flare x Female Iron Pipe

**Use:** For use with natural, manufactured, mixed, liquefied petroleum gases, and LP gas-air mixtures.

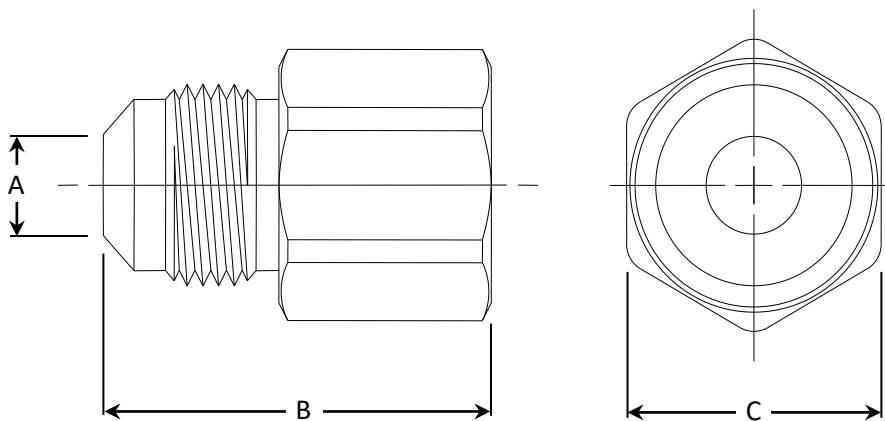
**Operating Specifications:**

**Temperature:** -40° - 150° F

**Pressure:** 1/2 PSI maximum

FITTING MATERIAL SPECIFICATIONS	
<b>Brass Body</b>	Brass
<b>Steel Body</b>	Steel, plated

PART DIMENSIONS (Inches)			
Model	DIA. A	DIM. B	DIM. C
AU1-8	0.438	1.53	15/16
AU1-6-8	0.312	1.47	15/16
AU1-6	0.312	1.37	3/4



**Part Listing:**

- AU1-8S                      1/2" OD flare x 1/2" FIP, steel
- AU1-6-8                     3/8" OD flare x 1/2" FIP, brass
- AU1-6-8S                   3/8" OD flare x 1/2" FIP, steel
- AU1-6-8S B                3/8" OD flare x 1/2" FIP, steel, bulk packed
- AU1-6S                      3/8" OD flare x 3/8" FIP, steel

- For use with CSA listed ANSI Z21.24 / CSA 6.10 connectors
- For use with CSA listed ANSI Z21.75 / CSA 6.27 connectors

*This specification and all information contained herein is the confidential and exclusive property of Brasscraft Manufacturing Company, and shall not be disclosed to others without the written consent of Brasscraft Mfg. Co. This specification must be returned to Brasscraft Mfg. Co. if requested.*

