

For Residential and Commercial Applications

Job Name		Engineer / Architect	
Job Location		Wholesaler	
Submittal Date		Contractor	

70 Series Compression x Female Iron Pipe Elbows

Use: For use with potable and non-potable water, instrumentation, hydraulic, and pneumatic systems. Designed for use with aluminum, copper, and plastic tubing*. Not intended for use with steel tubing.

* Plastic tubing requires a plastic insert and a sleeve (see 60PT & 63PT submittal forms for details)

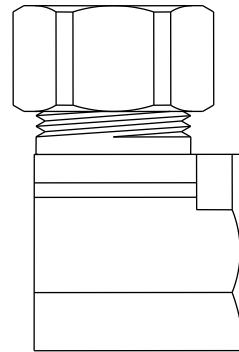
Design Features:

- **Little to no tube preparation.** Compression fittings do not require flaring, soldering, or other types of tube preparation
- **Available in a broad range of sizes**
-

Operating Specifications:

Temperature: -65° - 250° F at maximum operating temperatures

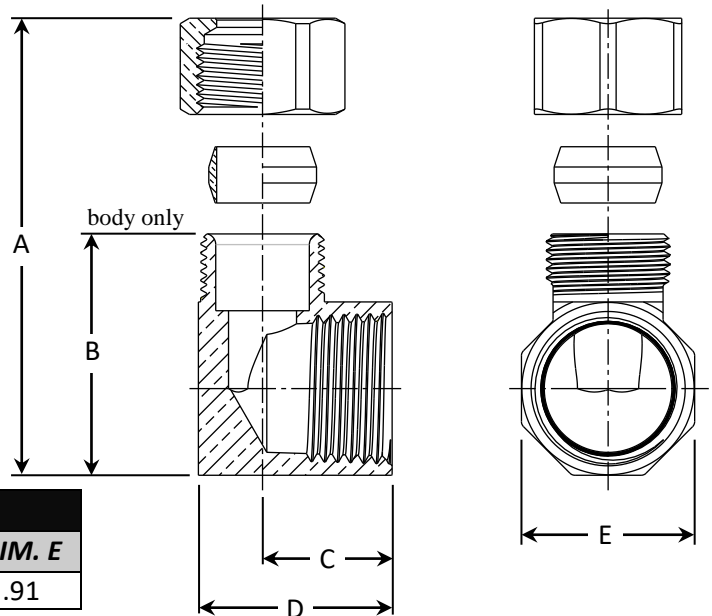
Working Pressure: See chart below



WORKING PRESSURE		
PSI	Tube OD	Tube Wall (Inches)
300	1/4	0.030
200	3/8	0.032

FITTING MATERIAL SPECIFICATIONS	
Body	Brass
Compression Sleeve	Brass
Compression Nut	Brass
Option	Plating

PART DIMENSIONS (Inches)					
Model	DIA. A	DIM. B	DIM. C	DIM. D	DIM. E
70-6-6X	1.53	1.24	.47	.76	.91



Part Listing:

- 70-6-6X 3/8" OD tube x 3/8" FIP
- 70-6-6X C 3/8" OD tube x 3/8" FIP, chrome plated,
- 70-6-6X CB 3/8" OD tube x 3/8" FIP, chrome plated, bulk
- 70-6-6-1X B 3/8" OD tube x 3/8" FIP - body only, bulk
- 70-6-6-1X CB 3/8" OD tube x 3/8" FIP - body only, chrome plated, bulk

This specification and all information contained herein is the confidential and exclusive property of Brasscraft Manufacturing Company and shall not be disclosed to others without the written consent of Brasscraft Mfg. Co. This specification must be returned to Brasscraft Mfg. Co. if requested.