

**For Residential and Commercial Applications**

Job Name		Engineer / Architect	
Job Location		Wholesaler	
Submittal Date		Contractor	

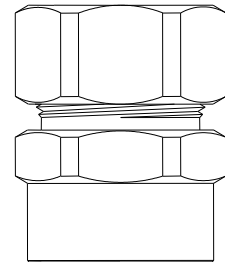
## 66 Series    Compression x Female Iron Pipe Adapters

**Use:** For use with instrumentation, hydraulic, and pneumatic systems. Designed for use with aluminum, copper, and plastic tubing. Not intended for use with steel tubing.

\* Plastic tubing requires a plastic insert and sleeve (see 60PT & 63PT submittal forms for details)

**Design Features:**

- **Little to no tube preparation.** Compression fittings do not require flaring, soldering or other types of tube preparation
- **Available in a broad range of sizes**
- 



**Operating Specifications:**

- Temperature:** -65° - 250° F at maximum operating pressures  
**Working Pressure:** See chart below  
**Vibration:** Fair vibration resistance

WORKING PRESSURE		
PSI	Tube O.D.	Tube Wall (Inches)
400	1/8	0.030
400	3/16	0.030
300	1/4	0.030
300	5/16	0.032
200	3/8	0.032
200	1/2	0.032
150	5/8	0.035
100	3/4	0.035
75	7/8	0.035

**Standard**

FITTING MATERIAL SPECIFICATIONS	
<b>Body</b>	Brass
<b>Compression Sleeve</b>	Brass
<b>Compression Nut</b>	Brass, plated

**Low-lead**

FITTING MATERIAL SPECIFICATIONS	
<b>Body</b>	Low-lead brass
<b>Compression Sleeve</b>	Brass
<b>Compression Nut</b>	Brass

**Standard Part Listing:**

- 66-2-2            1/8" OD tube x 1/8" FIP
- 66-2-2 B        1/8" OD tube x 1/8" FIP, bulk
- 66-4-4            1/4" OD tube x 1/4" FIP
- 66-4-4 B        1/4" OD tube x 1/4" FIP, bulk
- 66-4-4-1 B      1/4" OD tube x 1/4" FIP- body only, bulk

*This specification and all information contained herein is the confidential and exclusive property of Brasscraft Manufacturing Company and shall not be disclosed to others without the written consent of Brasscraft Mfg. Co. This specification must be returned to Brasscraft Mfg. Co. if requested.*

# 66 Series Compression x Female Iron Pipe Adapters

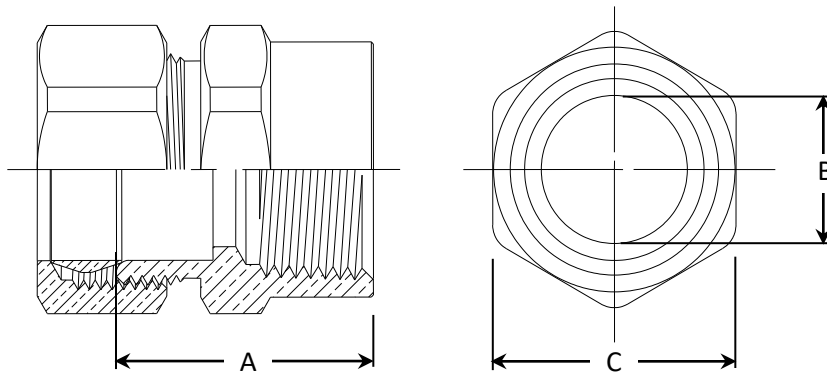
## Standard Part Listing (con't):

- 66-6-6            3/8" OD tube x 3/8" FIP
- 66-6-6 B        3/8" OD tube x 3/8" FIP, bulk
- 66-6-6 C        3/8" OD tube x 3/8" FIP, chrome plated, bulk
- 66-6-6-1 B      3/8" OD tube x 3/8" FIP - body only, bulk
- 66-8-8            1/2" OD tube x 1/2" FIP
- 66-8-8 B        1/2" OD tube x 1/2" FIP, bulk
- 66-8-8 C        1/2" OD tube x 1/2" FIP, chrome plated
- 66-8-8-1 B      1/2" OD tube x 1/2" FIP - body only, bulk
- 66-12-12        3/4" OD tube x 3/4" FIP
- 66-12-12-1 B   3/4" OD tube x 3/4" FIP - body only, bulk

## Low-lead Part Listing:

- 66-4-4X         1/4" OD tube x 1/4" FIP
- 66-4-4-1X B    1/4" OD tube x 1/4" FIP- body only, bulk
- 66-6-6X         3/8" OD tube x 3/8" FIP
- 66-6-6-1X B    3/8" OD tube x 3/8" FIP - body only, bulk

<b>PART DIMENSIONS (Inches)</b>			
<b>Model</b>	<b>DIM. A</b>	<b>DIA. B</b>	<b>HEX. C</b>
66-2-2	0.75	0.091	1/2
66-4-4	0.94	0.187	5/8
66-6-6	0.91	0.312	3/4
66-8-8	1.00	0.437	7/8
66-12-12	1.45	0.75	1-1/4



*This specification and all information contained herein is the confidential and exclusive property of Brasscraft Manufacturing Company and shall not be disclosed to others without the written consent of Brasscraft Mfg. Co. This specification must be returned to Brasscraft Mfg. Co. if requested.*