

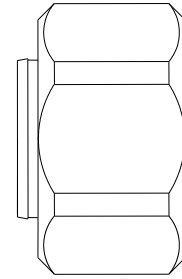
Job Name		Engineer / Architect	
Job Location		Wholesaler	
Submittal Date		Contractor	

61CA Series Compression Nuts w/ Captive Brass Sleeve

Use: For use with instrumentation, hydraulic, and pneumatic systems. Designed for use with aluminum, copper, and plastic tubing. Not intended for use with steel tubing.

Design Features:

- **Even seal & automatic positive alignment.** The extra sleeve length and retention within the nut helps eliminate cocking of the sleeve during installation
- **Little to no tube preparation.** Compression fittings do not require flaring, soldering or other types of tube preparation
- **Available in a broad range of sizes**



Operating Specifications:

- Temperature:** -65° - 250° F at maximum operating pressures
- Working Pressure:** See chart below
- Vibration:** Fair vibration resistance

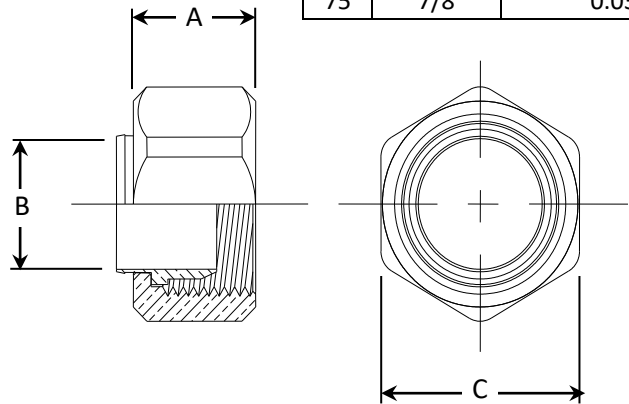
FITTING MATERIAL SPECIFICATIONS	
Compression Nut	Brass
Compression Sleeve	Brass

WORKING PRESSURE		
PSI	Tube OD	Tube Wall (Inches)
400	1/8	0.030
400	3/16	0.030
300	1/4	0.030
300	5/16	0.032

WORKING PRESSURE		
PSI	Tube OD	Tube Wall (Inches)
200	3/8	0.032
200	1/2	0.032
150	5/8	0.035
100	3/4	0.035
75	7/8	0.035

Part Listing:

- 61CA-2 For 1/8" OD tube, rough brass
- 61CA-2 B For 1/8" OD tube, rough brass, bulk
- 61CA-3 B For 3/16" OD tube, rough brass
- 61CA-4 For 1/4" OD tube, rough brass
- 61CA-4 B For 1/4" OD tube, rough brass, bulk
- 61CA-5 For 5/16" OD tube, rough brass
- 61CA-5 B For 5/16" OD tube, rough brass, bulk
- 61CA-6 For 3/8" OD tube, rough brass
- 61CA-6 B For 3/8" OD tube, rough brass, bulk
- 61CA-8 For 1/2" OD tube, rough brass
- 61CA-8 B For 1/2" OD tube, rough brass, bulk



PART DIMENSIONS (Inches)				
Model	Straight Thread	DIM. A	DIA. B	HEX C
61CA-2	5/16-24	.38	.130	3/8
61CA-3	3/8-24	.38	.193	7/16
61CA-4	7/16-24	.38	.255	1/2

PART DIMENSIONS (Inches)				
Model	Straight Thread	DIM. A	DIA. B	HEX C
61CA-5	1/2-24	.44	.320	9/16
61CA-6	9/16-24	.44	.382	5/8
61CA-8	11/16-20	.50	.507	13/16

This specification and all information contained herein is the confidential and exclusive property of Brasscraft Manufacturing Company and shall not be disclosed to others without the written consent of Brasscraft Mfg. Co. This specification must be returned to Brasscraft Mfg. Co. if requested.

