

For Residential and Commercial Applications

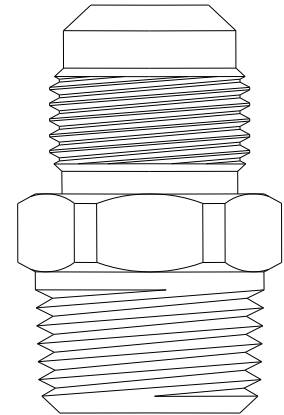
| | | | |
|----------------|--|----------------------|--|
| Job Name | | Engineer / Architect | |
| Job Location | | Wholesaler | |
| Submittal Date | | Contractor | |

48 Series 45° Flare x Male Iron Pipe Adapter

Use: For use with fuel, oil, liquefied petroleum (LP), and natural gas lines. Designed for use with aluminum, copper, brass, and welded steel tubing that can be flared.

Design Features:

- **Recommended for higher pressures** than those covered by compression fittings
- **Resist mechanical pull out**
- **Available in a broad range of sizes**



Operating Specifications:

Temperature: -65° - 250° F at maximum operating pressures

Working Pressure: see chart below

Vibration: Good vibration resistance*

*Recommend long flare nuts when greater vibration resistance is required

| MAXIMUM WORKING PRESSURES | | | | | | | | | | | |
|---------------------------|-----------|--------------------------------------------|-------|-------|-------|-------|-------------------------------|-------|-------|-------|-------|
| Service Conditions | Tube O.D. | Type of Tubing and Wall Thickness (Inches) | | | | | | | | | |
| | | Copper – Dead Soft (Seamless) | | | | | Copper – Half Hard (Seamless) | | | | |
| | | .030" | .032" | .035" | .049" | .065" | .032" | .035" | .042" | .049" | .065" |
| Safety Factor 4-1 | 1/8 | 4300 | | 5000 | | | 5000 | | | | |
| | 3/16 | 2850 | | 3300 | | | 3400 | | | | |
| | 1/4 | 2100 | 2250 | 2500 | | | 2500 | | | | |
| | 5/16 | | 1800 | 2000 | | | 2000 | | | | |
| | 3/8 | | 1500 | 1650 | | | 1700 | 1850 | | | |
| | 1/2 | | 1100 | 1250 | | 2000 | 1250 | 1400 | | 2600 | |
| | 5/8 | | | 1000 | 1400 | 1800 | 1000 | | | 1500 | 2000 |
| | 3/4 | | | 850 | 1150 | 1500 | | | 1100 | | 1700 |
| 7/8 | | | | | | | | | 1100 | 1500 | |
| Safety Factor 6-1 | 1/8 | 2800 | | 3350 | | | 3400 | | | | |
| | 3/16 | 1900 | | 2200 | | | 2250 | | | | |
| | 1/4 | 1430 | 1500 | 1650 | | | 1700 | | | | |
| | 5/16 | | 1200 | 1300 | | | 1350 | | | | |
| | 3/8 | | 100 | 1100 | | | 1100 | 1200 | | | |
| | 1/2 | | 750 | 825 | | 1550 | 850 | 925 | | 1750 | |
| | 5/8 | | | 650 | 930 | 1200 | 675 | | | 1000 | 1350 |
| | 3/4 | | | 550 | 775 | 1000 | | | 725 | | 1100 |
| 7/8 | | | | | | | | | 750 | 1000 | |

This specification and all information contained herein is the confidential and exclusive property of Brasscraft Manufacturing Company and shall not be disclosed to others without the written consent of Brasscraft Mfg. Co. This specification must be returned to Brasscraft Mfg. Co. if requested.



48 Series 45° Flare x Male Iron Pipe Adapter

FITTING MATERIAL SPECIFICATIONS

| Body | Brass |
|------|-------|
|------|-------|

Part Listing:

| | | |
|--------------------------|--------------|--------------------------------------------------------------|
| <input type="checkbox"/> | 48-2-2 | 1/8" OD flare x 1/8" MIP |
| <input type="checkbox"/> | 48-2-2 B | 1/8" OD flare x 1/8" MIP, bulk |
| <input type="checkbox"/> | 48-3-2 | 3/16" OD flare x 1/8" MIP |
| <input type="checkbox"/> | 48-3-2 B | 3/16" OD flare x 1/8" MIP, bulk |
| <input type="checkbox"/> | 48-3-2WN | 3/16" OD flare x 1/8" MIP with flare nut - short |
| <input type="checkbox"/> | 48-3-4 | 3/16" OD flare x 1/4" MIP |
| <input type="checkbox"/> | 48-3-4 B | 3/16" OD flare x 1/4" MIP, bulk |
| <input type="checkbox"/> | 48-4-2 | 1/4" OD flare x 1/8" MIP |
| <input type="checkbox"/> | 48-4-2 B | 1/4" OD flare x 1/8" MIP, bulk |
| <input type="checkbox"/> | 48-4-2WN | 1/4" OD flare x 1/8" MIP with flare nut - short |
| <input type="checkbox"/> | 48-4-4 | 1/4" OD flare x 1/4" MIP |
| <input type="checkbox"/> | 48-4-4 B | 1/4" OD flare x 1/4" MIP, bulk |
| <input type="checkbox"/> | 48-4-4WN | 1/4" OD flare x 1/4" MIP with flare nut - short |
| <input type="checkbox"/> | 48-4-6 | 1/4" OD flare x 3/8" MIP |
| <input type="checkbox"/> | 48-4-6 B | 1/4" OD flare x 3/8" MIP, bulk |
| <input type="checkbox"/> | 48-4-6WN | 1/4" OD flare x 3/8" MIP with flare nut - short |
| <input type="checkbox"/> | 48-4-8 | 1/4" OD flare x 1/2" MIP |
| <input type="checkbox"/> | 48-4-8 B | 1/4" OD flare x 1/2" MIP, bulk |
| <input type="checkbox"/> | 48-4-8WN | 1/4" OD flare x 1/2" MIP with flare nut - short |
| <input type="checkbox"/> | 48-5-2 | 5/16" OD flare x 1/8" MIP |
| <input type="checkbox"/> | 48-5-2 B | 5/16" OD flare x 1/8" MIP, bulk |
| <input type="checkbox"/> | 48-5-4 | 5/16" OD flare x 1/4" MIP |
| <input type="checkbox"/> | 48-5-4 B | 5/16" OD flare x 1/4" MIP, bulk |
| <input type="checkbox"/> | 48-5-6 | 5/16" OD flare x 3/8" MIP |
| <input type="checkbox"/> | 48-5-6 B | 5/16" OD flare x 3/8" MIP, bulk |
| <input type="checkbox"/> | 48-5-8 B | 5/16" OD flare x 1/2" MIP, bulk |
| <input type="checkbox"/> | 48-6-2 | 3/8" OD flare x 1/8" MIP |
| <input type="checkbox"/> | 48-6-2 B | 3/8" OD flare x 1/8" MIP, bulk |
| <input type="checkbox"/> | 48-6-2WN K25 | 3/8" OD flare x 1/8" MIP with flare nut – short, 25 per case |
| <input type="checkbox"/> | 48-6-4 | 3/8" OD flare x 1/4" MIP |
| <input type="checkbox"/> | 48-6-4 B | 3/8" OD flare x 1/4" MIP, bulk |
| <input type="checkbox"/> | 48-6-4 CB | 3/8" OD flare x 1/4" MIP, chrome plated, bulk |
| <input type="checkbox"/> | 48-6-4WN | 3/8" OD flare x 1/4" MIP with flare nut - short |
| <input type="checkbox"/> | 48-6-6 | 3/8" OD flare x 3/8" MIP |
| <input type="checkbox"/> | 48-6-6 B | 3/8" OD flare x 3/8" MIP, bulk |

This specification and all information contained herein is the confidential and exclusive property of Brasscraft Manufacturing Company and shall not be disclosed to others without the written consent of Brasscraft Mfg. Co. This specification must be returned to Brasscraft Mfg. Co. if requested.

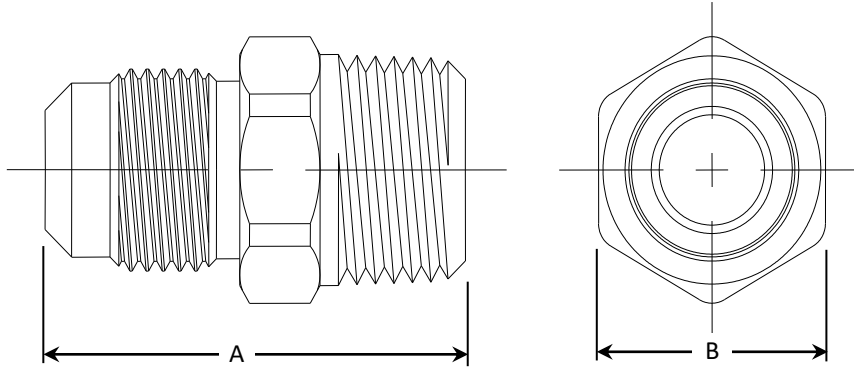
48 Series 45° Flare x Male Iron Pipe Adapter

Part Listing (con't):

| | | |
|--------------------------|------------|-------------------------------------------------|
| <input type="checkbox"/> | 48-6-6WN | 3/8" OD flare x 3/8" MIP with flare nut - short |
| <input type="checkbox"/> | 48-6-8 | 3/8" OD flare x 1/2" MIP |
| <input type="checkbox"/> | 48-6-8 B | 3/8" OD flare x 1/2" MIP, bulk |
| <input type="checkbox"/> | 48-6-8WN | 3/8" OD flare x 1/2" MIP with flare nut - short |
| <input type="checkbox"/> | 48-6-12 | 3/8" OD flare x 3/4" MIP |
| <input type="checkbox"/> | 48-6-12 B | 3/8" OD flare x 3/4" MIP, bulk |
| <input type="checkbox"/> | 48-6-12WN | 3/8" OD flare x 3/4" MIP with flare nut - short |
| <input type="checkbox"/> | 48-8-4 | 1/2" OD flare x 1/4" MIP |
| <input type="checkbox"/> | 48-8-4 B | 1/2" OD flare x 1/4" MIP, bulk |
| <input type="checkbox"/> | 48-8-4WN | 1/2" OD flare x 1/4" MIP with flare nut - short |
| <input type="checkbox"/> | 48-8-6 | 1/2" OD flare x 3/8" MIP |
| <input type="checkbox"/> | 48-8-6 B | 1/2" OD flare x 3/8" MIP, bulk |
| <input type="checkbox"/> | 48-8-6WN | 1/2" OD flare x 3/8" MIP with flare nut - short |
| <input type="checkbox"/> | 48-8-8 | 1/2" OD flare x 1/2" MIP |
| <input type="checkbox"/> | 48-8-8 B | 1/2" OD flare x 1/2" MIP, bulk |
| <input type="checkbox"/> | 48-8-8WN | 1/2" OD flare x 1/2" MIP with flare nut - short |
| <input type="checkbox"/> | 48-8-12 | 1/2" OD flare x 3/4" MIP |
| <input type="checkbox"/> | 48-8-12 B | 1/2" OD flare x 3/4" MIP, bulk |
| <input type="checkbox"/> | 48-8-12WN | 1/2" OD flare x 3/4" MIP with flare nut - short |
| <input type="checkbox"/> | 48-10-4 | 5/8" OD flare x 1/8" MIP |
| <input type="checkbox"/> | 48-10-4 B | 5/8" OD flare x 1/8" MIP, bulk |
| <input type="checkbox"/> | 48-10-6 | 5/8" OD flare x 3/8" MIP |
| <input type="checkbox"/> | 48-10-6 B | 5/8" OD flare x 3/8" MIP, bulk |
| <input type="checkbox"/> | 48-10-6WN | 5/8" OD flare x 3/8" MIP with flare nut - short |
| <input type="checkbox"/> | 48-10-8 | 5/8" OD flare x 1/2" MIP |
| <input type="checkbox"/> | 48-10-8 B | 5/8" OD flare x 1/2" MIP, bulk |
| <input type="checkbox"/> | 48-10-8WN | 5/8" OD flare x 1/2" MIP with flare nut - short |
| <input type="checkbox"/> | 48-10-12 | 5/8" OD flare x 3/4" MIP |
| <input type="checkbox"/> | 48-10-12 B | 5/8" OD flare x 3/4" MIP, bulk |
| <input type="checkbox"/> | 48-10-12WN | 5/8" OD flare x 3/4" MIP with flare nut - short |
| <input type="checkbox"/> | 48-12-8 | 3/4" OD flare x 1/2" MIP |
| <input type="checkbox"/> | 48-12-8 B | 3/4" OD flare x 1/2" MIP, bulk |
| <input type="checkbox"/> | 48-12-12 | 3/4" OD flare x 3/4" MIP |
| <input type="checkbox"/> | 48-12-12 B | 3/4" OD flare x 3/4" MIP, bulk |
| <input type="checkbox"/> | 48-14-12 | 7/8" OD flare x 3/4" MIP |
| <input type="checkbox"/> | 48-14-12 B | 7/8" OD flare x 3/4" MIP, bulk |

This specification and all information contained herein is the confidential and exclusive property of Brasscraft Manufacturing Company and shall not be disclosed to others without the written consent of Brasscraft Mfg. Co. This specification must be returned to Brasscraft Mfg. Co. if requested.

48 Series 45° Flare x Male Iron Pipe Adapter



| PART DIMENSIONS (Inches) | | | |
|--------------------------|------------------|--------|-------|
| Model | Straight Threads | DIM. A | HEX B |
| 48-2-2 | 5/16-24 | .92 | 7/16 |
| 48-3-2 | 3/8-24 | 1.00 | 7/16 |
| 48-3-4 | 3/8-24 | 1.11 | 9/16 |
| 48-4-2 | 7/16-20 | 1.03 | 7/16 |
| 48-4-4 | 7/16-20 | 1.22 | 9/16 |
| 48-4-6 | 7/16-20 | 1.22 | 11/16 |
| 48-4-8 | 7/16-20 | 1.38 | 7/8 |
| 48-5-2 | 1/2-20 | 1.13 | 1/2 |
| 48-5-4 | 1/2-20 | 1.27 | 9/16 |
| 48-5-6 | 1/2-20 | 1.13 | 3/4 |
| 48-6-2 | 5/8-18 | 1.25 | 5/8 |
| 48-6-4 | 5/8-18 | 1.31 | 5/8 |
| 48-6-6 | 5/8-18 | 1.41 | 11/16 |

| PART DIMENSIONS (Inches) | | | |
|--------------------------|------------------|--------|--------|
| Model | Straight Threads | DIM. A | HEX. B |
| 48-6-8 | 5/8-18 | 1.49 | 27/32 |
| 48-6-12 | 5/8-18 | 1.62 | 1-1/16 |
| 48-8-4 | 3/4-16 | 1.62 | 3/4 |
| 48-8-6 | 3/4-16 | 1.53 | 3/4 |
| 48-8-8 | 3/4-16 | 1.44 | 27/32 |
| 48-8-12 | 3/4-16 | 1.50 | 1-1/16 |
| 48-10-4 | 7/8-14 | 1.79 | 7/8 |
| 48-10-6 | 7/8-14 | 1.69 | 7/8 |
| 48-10-8 | 7/8-14 | 1.75 | 7/8 |
| 48-10-12 | 7/8-14 | 1.81 | 1-1/16 |
| 48-12-8 | 1-1/16-14 | 1.75 | 1-1/8 |
| 48-12-12 | 1-1/16-14 | 2.08 | 1-1/16 |
| 48-14-12 | 1-1/4-12 | 2.35 | 1-1/4 |

This specification and all information contained herein is the confidential and exclusive property of Brasscraft Manufacturing Company and shall not be disclosed to others without the written consent of Brasscraft Mfg. Co. This specification must be returned to Brasscraft Mfg. Co. if requested.

BrassCraft®