

Job Name		Engineer / Architect	
Job Location		Wholesaler	
Submittal Date		Contractor	

213 Series Female Iron Pipe Cap

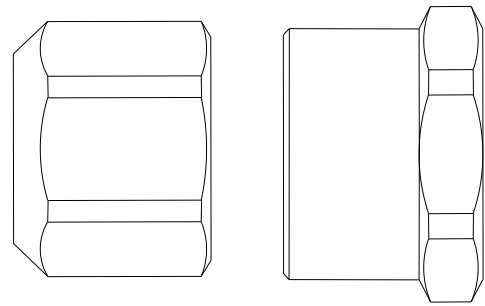
Use: For use with water, grease, fuels, LP and Natural Gas, refrigeration, instrumentation, and hydraulic systems in low and medium pressure pipe line connections. Use in combination with brass, copper, and iron pipe.

Design Features:

- Available in a broad range of sizes

Operating Specifications:

- Temperature:** -65° to 250° F
- Working Pressure:** Up to 1200 PSI
- Vibration:** Fair resistance to vibration and pipe movement depending on conditions



FITTING MATERIAL SPECIFICATIONS	
Body	Brass

PART DIMENSIONS (Inches)			
Model	Figure	DIM. A	HEX. B
213-2	1	.53	9/16
213-4	1	.59	11/16
213-6	1	.58	3/4
213-8	1	.78	15/16
213-12	2	.94	1-1/4

Part Listing:

- 213-2 1/8" FIP
- 213-2 B 1/8" FIP, bulk
- 213-4 1/4" FIP
- 213-4 B 1/4" FIP, bulk
- 213-6 3/8" FIP
- 213-6 B 3/8" FIP, bulk
- 213-8 1/2" FIP
- 213-8 B 1/2" FIP, bulk
- 213-12 3/4" FIP

