

For Residential and Commercial Applications

Job Name		Engineer / Architect	
Job Location		Wholesaler	
Submittal Date		Contractor	

210 Series Pipe Locknut

Use: For use with water, grease, fuels, LP and natural gas, refrigeration, instrumentation, and hydraulic systems in low and medium pressure pipe line connections. Use in combination with brass, copper, and iron pipe.

Design Features:

- Available in a broad range of sizes

Operating Specifications:

Temperature: -65° to +250° F
Working Pressure: Up to 1200 PSI
Vibration: Fair resistance to vibration and pipe movement depending on conditions

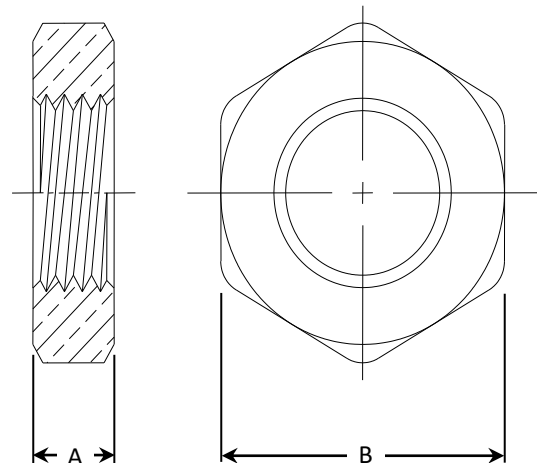


FITTING MATERIAL SPECIFICATIONS	
Body	Brass

PART DIMENSIONS (Inches)		
Model	DIM. A	HEX. B
210-2	.18	11/16
210-4	.25	7/8
210-6	.25	1"
210-8	.25	1-1/8
210-12	.25	1-1/8

Part Listing:

- | | | |
|--------------------------|----------|------------------------|
| <input type="checkbox"/> | 210-2 | 1/8" NPSM thread |
| <input type="checkbox"/> | 210-4 | 1/4" NPSM thread |
| <input type="checkbox"/> | 210-4 B | 1/4" NPSM thread, bulk |
| <input type="checkbox"/> | 210-6 | 3/8" NPSM thread |
| <input type="checkbox"/> | 210-6 B | 3/8" NPSM thread, bulk |
| <input type="checkbox"/> | 210-8 | 1/2" NPSM thread |
| <input type="checkbox"/> | 210-8 B | 1/2" NPSM thread, bulk |
| <input type="checkbox"/> | 210-12 B | 3/4" NPSM thread, bulk |



This specification and all information contained herein is the confidential and exclusive property of Brasscraft Manufacturing Company and shall not be disclosed to others without the written consent of Brasscraft Mfg. Co. This specification must be returned to Brasscraft Mfg. Co. if requested.