

*For Commercial Applications*

|                |  |                      |  |
|----------------|--|----------------------|--|
| Job Name       |  | Engineer / Architect |  |
| Job Location   |  | Wholesaler           |  |
| Submittal Date |  | Contractor           |  |

## 207 Series      Malleable Black Iron / Iron Pipe Coupling

**Use:** Commercial food service applications

**Design Features:**

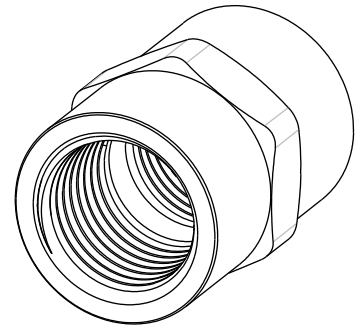
- **Finish machined one-piece iron body** provides strength, durability, and long-lasting performance

**Operating Specifications:**

**Temperature:** 32° to 125° F

**Pressure:** 1/2 PSI maximum

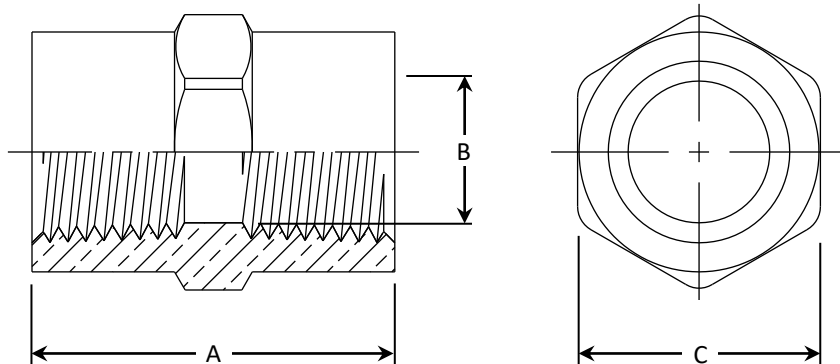
| <b>MATERIAL SPECIFICATIONS</b> |                              |
|--------------------------------|------------------------------|
| <b>Fitting</b>                 | Malleable black iron / brass |



**Part Listing:**

- 207-12CB      3/4" FIP, both ends, pipe coupling
- 207-16CB      1" FIP, both ends, pipe coupling

| <b>PART DIMENSIONS (Inches)</b> |               |               |               |
|---------------------------------|---------------|---------------|---------------|
| <i>Model</i>                    | <i>DIM. A</i> | <i>DIM. B</i> | <i>HEX. C</i> |
| 207-12                          | 1.53          | .92           | 1-1/4         |
| 207-16                          | 1.53          | .92           | 1-1/4         |



*This specification and all information contained herein is the confidential and exclusive property of Brasscraft Manufacturing Company, and shall not be disclosed to others without the written consent of Brasscraft Mfg. Co. This specification must be returned to Brasscraft Mfg. Co. if requested.*