

For Residential and Commercial Applications

Job Name		Engineer / Architect	
Job Location		Wholesaler	
Submittal Date		Contractor	

203 Series Female Iron Pipe Tee

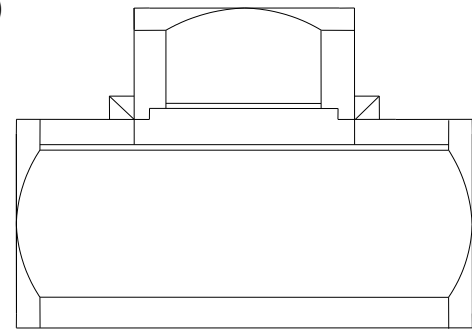
Use: For use with water, grease, fuels, LP and natural gas, refrigeration, instrumentation, and hydraulic systems in low and medium pressure pipe line connections. Use in combination with brass, copper, and iron pipe.

Design Features:

- **Designed and manufactured to SAE** (Society of Automotive Engineers) **thread standards** – SAE 130137 (*denotes non-SAE)
- **Available in a broad range of sizes**

Operating Specifications:

Temperature: -65° to 250° F
Working Pressure: Up to 1200 PSI
Vibration: Fair resistance to vibration and pipe movement depending on conditions



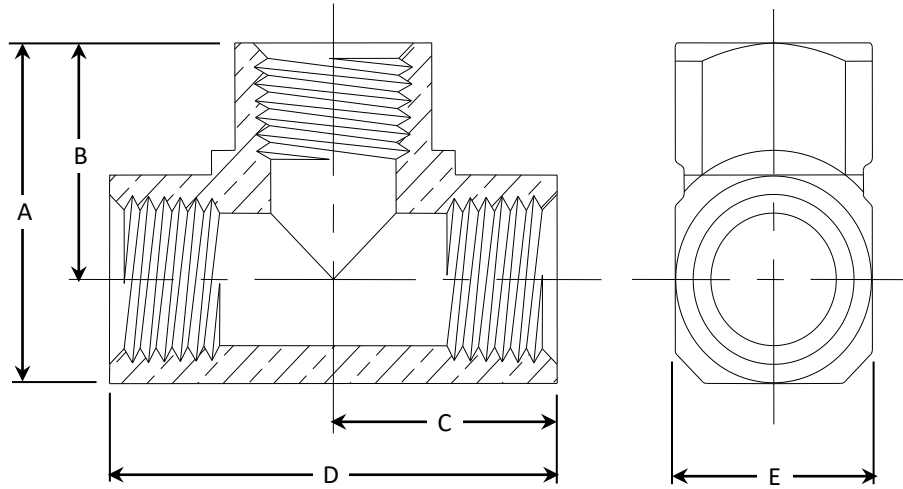
FITTING MATERIAL SPECIFICATIONS	
Machined body	Brass
Forged body *	Brass

Part Listing:

- 203-2 1/8" FIP, all three ends
- 203-2 B 1/8" FIP, all three ends, bulk
- 203-2BD B 1/8" FIP, all three ends, bright dipped, bulk
- 203-4 1/4" FIP, all three ends
- 203-4 B 1/4" FIP, all three ends, bulk
- 203-4BD B 1/4" FIP, all three ends, bright dipped, bulk
- 203-6 3/8" FIP all three ends
- 203-6 B 3/8" FIP all three ends, bulk
- 203-6BD B 3/8" FIP all three ends, bright dipped, bulk
- 203-8 1/2" FIP, all three ends
- 203-8 B 1/2" FIP, all three ends, bulk
- 203-8BD B 1/2" FIP, all three ends, bright dipped, bulk
- 203-12 * 3/4" FIP, all three ends
- 203-12 B * 3/4" FIP, all three ends, bulk

This specification and all information contained herein is the confidential and exclusive property of Brasscraft Manufacturing Company and shall not be disclosed to others without the written consent of Brasscraft Mfg. Co. This specification must be returned to Brasscraft Mfg. Co. if requested.

203 Series Female Iron Pipe Tee



PART DIMENSIONS (Inches)					
Model	DIM. A	DIM. B	DIM. C	DIM. D	DIM. E
203-2	.831	.55	.55	1.10	9/16
203-4	1.12	.78	.78	1.56	11/16
203-6	1.246	.84	.84	1.68	13/16
203-8	1.59	1.09	1.09	2.18	1
203-12	1.85	1.16	1.16	2.33	1-1/4

This specification and all information contained herein is the confidential and exclusive property of Brasscraft Manufacturing Company and shall not be disclosed to others without the written consent of Brasscraft Mfg. Co. This specification must be returned to Brasscraft Mfg. Co. if requested.