

**For Residential and Commercial Applications**

Job Name		Engineer / Architect	
Job Location		Wholesaler	
Submittal Date		Contractor	

## 202 Series Female Iron Pipe x Male Iron Pipe 90° Street Elbow

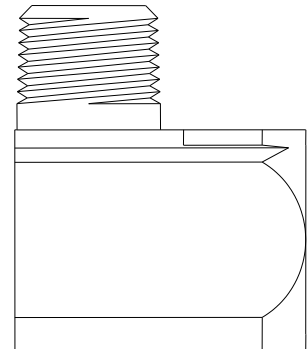
**Use:** For use with water, grease, fuels, LP and natural gas, refrigeration, instrumentation, and hydraulic systems in low and medium pressure pipe line connections. Use in combination with brass, copper, and iron pipe.

**Design Features:**

- **Designed and manufactured to SAE** (Society of Automotive Engineers) **thread standards** – SAE 130239 (\*denotes non-SAE)
- **Available in a broad range of sizes**

**Operating Specifications:**

**Temperature:** -65° - 250° F  
**Working Pressure:** up to 1200 PSI  
**Vibration:** fair resistance to vibration and pipe movement depending on conditions



<b>FITTING MATERIAL SPECIFICATIONS</b>	
<b>Body</b>	<b>Brass</b>

**Part Listing:**

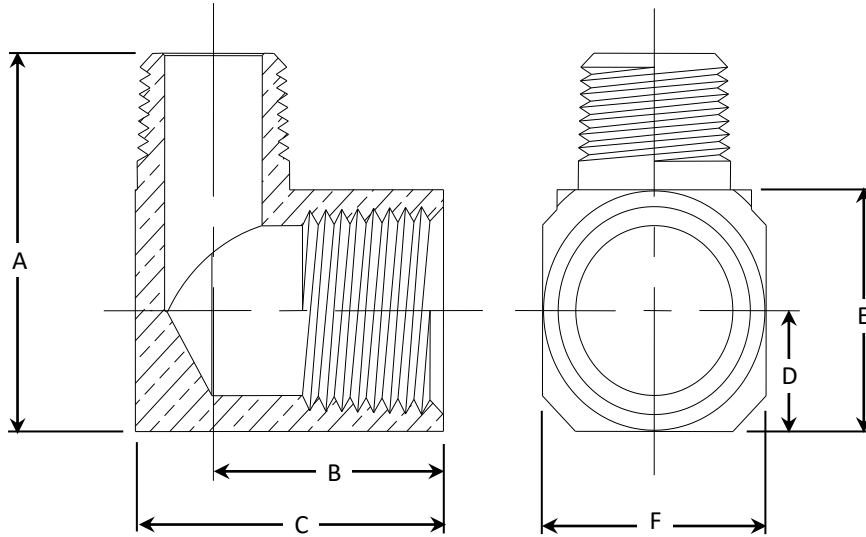
- |                          |               |  |
|--------------------------|---------------|--|
| <input type="checkbox"/> | 202-2         | 1/8" FIP x 1/8" MIP                      |
| <input type="checkbox"/> | 202-2 B       | 1/8" FIP x 1/8" MIP, bulk                |
| <input type="checkbox"/> | 202-2BD B     | 1/8" FIP x 1/8" MIP, bright dipped, bulk |
| <input type="checkbox"/> | 202-4         | 1/4" FIP x 1/4" MIP                      |
| <input type="checkbox"/> | 202-4 B       | 1/4" FIP x 1/4" MIP, bulk                |
| <input type="checkbox"/> | 202-4BD B     | 1/4" FIP x 1/4" MIP, bright dipped, bulk |
| <input type="checkbox"/> | 202-4-2 B *   | 1/4" FIP x 1/8" MIP, bulk                |
| <input type="checkbox"/> | 202-6         | 3/8" FIP x 3/8" MIP                      |
| <input type="checkbox"/> | 202-6 B       | 3/8" FIP x 3/8" MIP, bulk                |
| <input type="checkbox"/> | 202-6BD B     | 3/8" FIP x 3/8" MIP, bright dipped, bulk |
| <input type="checkbox"/> | 202-8         | 1/2" FIP x 1/2" MIP                      |
| <input type="checkbox"/> | 202-8 B       | 1/2" FIP x 1/2" MIP, bulk                |
| <input type="checkbox"/> | 202-8 CB      | 1/2" FIP x 1/2" MIP, chrome plated, bulk |
| <input type="checkbox"/> | 202-8BD B     | 1/2" FIP x 1/2" MIP, chrome plated, bulk |
| <input type="checkbox"/> | 202-8-6 B *   | 1/2" FIP x 3/8" MIP, bulk                |
| <input type="checkbox"/> | 202-8-6BD B * | 1/2" FIP x 3/8" MIP, bright dipped, bulk |

*This specification and all information contained herein is the confidential and exclusive property of Brasscraft Manufacturing Company and shall not be disclosed to others without the written consent of Brasscraft Mfg. Co. This specification must be returned to Brasscraft Mfg. Co. if requested.*

# 202 Series Female Iron Pipe x Male Iron Pipe 90° Street Elbow

**Part Listing (con't):**

- 202-12 \*                    3/4" FIP x 3/4" MIP
- 202-12 B \*                    3/4" FIP x 3/4" MIP, bulk



<b>PART DIMENSIONS (Inches)</b>						
<b>Model</b>	<b>DIM. A</b>	<b>DIM. B</b>	<b>DIM. C</b>	<b>DIM. D</b>	<b>DIM. E</b>	<b>DIM. F</b>
202-2	.941	.48	.710	.281	.562	9/16
202-4	1.274	.72	1.003	.343	.687	11/16
202-4-2	1.070	.52	.74	.340	.680	11/16
202-6	1.376	.78	1.13	.406	.816	13/16
202-8	1.750	1.03	1.465	.500	1.00	1
202-8-6	1.565	1.04	1.38	.500	1.00	1
202-12	2.05	.88	1.41	.62	1.25	1-1/4

*This specification and all information contained herein is the confidential and exclusive property of Brasscraft Manufacturing Company and shall not be disclosed to others without the written consent of Brasscraft Mfg. Co. This specification must be returned to Brasscraft Mfg. Co. if requested.*

