

*For Residential and Commercial Applications*

Job Name		Engineer / Architect	
Job Location		Wholesaler	
Submittal Date		Contractor	

## 129 Series Hose Barb to Male Iron Pipe 90 Degree Elbow

**Use:** For use with plastic or rubber tubing. Installation requires a hose clamp.

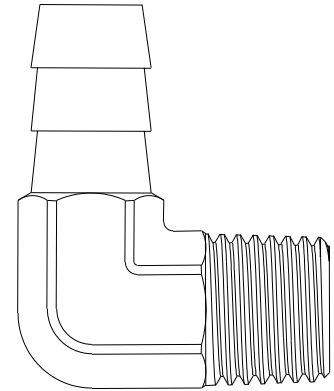
**Design Features:**

- Forged brass body
- Manufactured with dryseal pipe threads
- Available in a broad range of sizes

**Operating Specifications:**

**Temperature:** -40° to 160°F

**Working Pressure:** 150 PSI maximum



**FITTING MATERIAL SPECIFICATIONS**

<b>Body</b>	<b>Brass</b>
-------------	--------------

**Part Listing:**

- 129-4-2      1/4" hose barb x 1/8" MIP
- 129-4-2 B    1/4" hose barb x 1/8" MIP, bulk
- 129-4-4      1/4" hose barb x 1/4" MIP
- 129-4-4 B    1/4" hose barb x 1/4" MIP, bulk
- 129-5-2      5/16" hose barb x 1/8" MIP
- 129-5-2 B    5/16" hose barb x 1/8" MIP, bulk
- 129-5-4      5/16" hose barb x 1/4" MIP
- 129-5-4 B    5/16" hose barb x 1/4" MIP, bulk
- 129-5-6      5/16" hose barb x 3/8" MIP
- 129-6-2      3/8" hose barb x 1/8" MIP
- 129-6-2 B    3/8" hose barb x 1/8" MIP, bulk
- 129-6-4      3/8" hose barb x 1/4" MIP
- 129-6-4 B    3/8" hose barb x 1/4" MIP, bulk
- 129-6-6      3/8" hose barb x 3/8" MIP
- 129-6-6 B    3/8" hose barb x 3/8" MIP, bulk
- 129-6-8 B    3/8" hose barb x 1/2" MIP
- 129-8-4      1/2" hose barb x 1/4" MIP
- 129-8-4 B    1/2" hose barb x 1/4" MIP, bulk
- 129-8-6      1/2" hose barb x 3/8" MIP
- 129-8-6 B    1/2" hose barb x 3/8" MIP, bulk
- 129-8-8      1/2" hose barb x 1/2" MIP
- 129-8-8 B    1/2" hose barb x 1/2" MIP, bulk

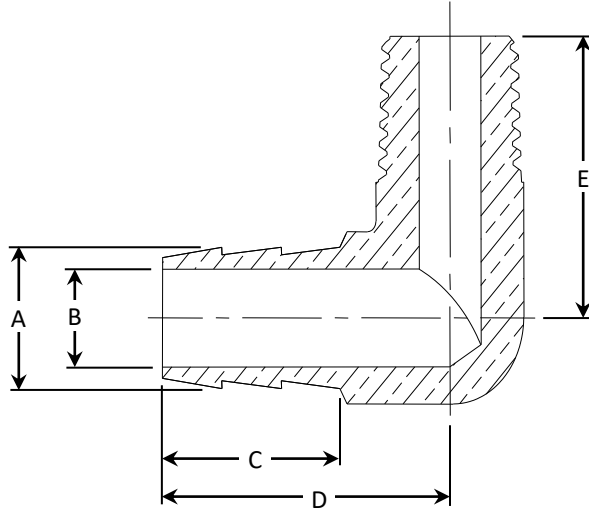
*This specification and all information contained herein is the confidential and exclusive property of Brasscraft Manufacturing Company and shall not be disclosed to others without the written consent of Brasscraft Mfg. Co. This specification must be returned to Brasscraft Mfg. Co. if requested.*



# 129 Series Hose Barb to Male Iron Pipe 90 Degree Elbow

**Part Listing (con't):**

- 129-10-6 5/8" hose barb x 3/8" MIP
- 129-10-6 B 5/8" hose barb x 3/8" MIP, bulk
- 129-10-8 5/8" hose barb x 1/2" MIP
- 129-10-8 B 5/8" hose barb x 1/2" MIP, bulk



<b>PART DIMENSIONS (Inches)</b>					
<b>Model</b>	<b>DIA. A</b>	<b>DIA. B</b>	<b>DIM. C</b>	<b>DIM. D</b>	<b>DIM. E</b>
129-4-2	.281	.156	.63	1.02	.81
129-4-4	.281	.156	.63	1.03	.88
129-5-2	.344	.219	.63	1.02	.81
129-5-4	.344	.219	.63	1.02	.88
129-5-6	.344	.219	.63	1.09	.94
129-6-2	.344	.281	.63	1.02	.81
129-6-4	.422	.281	.63	1.02	.88
129-6-8	.422	.281	.68	1.09	.94
129-8-4	.531	.375	.68	1.06	1.00
129-8-6	.531	.375	.69	1.06	1.09
129-8-8	.531	.375	.69	1.15	1.12
129-10-6	.625	.406	.63	.97	.88
129-10-8	.672	.531	.72	1.13	1.16

*This specification and all information contained herein is the confidential and exclusive property of Brasscraft Manufacturing Company and shall not be disclosed to others without the written consent of Brasscraft Mfg. Co. This specification must be returned to Brasscraft Mfg. Co. if requested.*