

*For Residential and Commercial Applications*

Job Name		Engineer / Architect	
Job Location		Wholesaler	
Submittal Date		Contractor	

## 127 Series      Ball Joint x Male Iron Pipe Adaptor

**Use:** Use with 128 Series Hose Barb x Female Iron Pipe Adaptor.

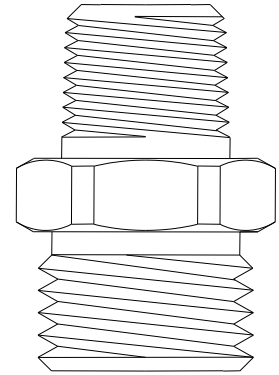
**Design Features:**

- Manufactured with dryseal pipe threads
- Available in a broad range of sizes

**Operating Specifications:**

**Temperature:**            -40° to 160° F

**Working Pressure:**    150 PSI maximum

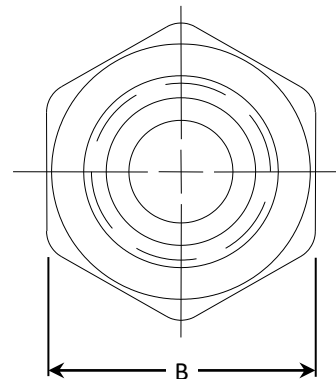
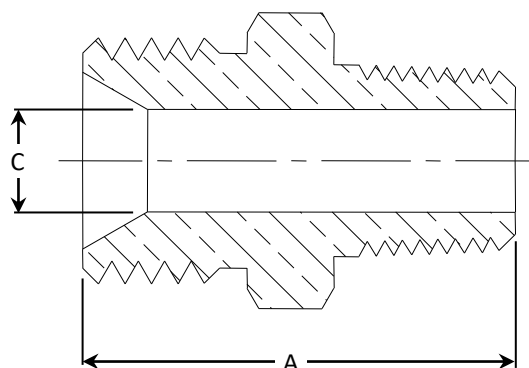


FITTING MATERIAL SPECIFICATIONS	
<b>Body</b>	Brass

PART DIMENSIONS (Inches)			
Model	DIM. A	HEX. B	DIA. C
127-4-2	.91	9/16	.218
127-4-4	1.02	9/16	.281
127-6-4	1.02	11/16	.312
127-6-6	1.31	11/16	.375
127-8-8	1.39	7/8	.531

**Part Listing:**

- 127-4-2            1/4" NPSM x 1/8" MIP
- 127-4-2 B        1/4" NPSM x 1/8" MIP, bulk
- 127-4-4            1/4" NPSM x 1/4" MIP
- 127-4-4 B        1/4" NPSM x 1/4" MIP, bulk
- 127-6-4 B        3/8" NPSM x 1/4" MIP, bulk
- 127-6-6 B        3/8" NPSM x 3/8" MIP, bulk
- 127-8-8            1/2" NPSM x 1/2" MIP
- 127-8-8 B        1/2" NPSM x 1/2" MIP, bulk



*This specification and all information contained herein is the confidential and exclusive property of Brasscraft Manufacturing Company and shall not be disclosed to others without the written consent of Brasscraft Mfg. Co. This specification must be returned to Brasscraft Mfg. Co. if requested.*

