

For Residential and Commercial Applications

Job Name		Engineer / Architect	
Job Location		Wholesaler	
Submittal Date		Contractor	

104 Series Female Iron Pipe x Female Iron Pipe Union

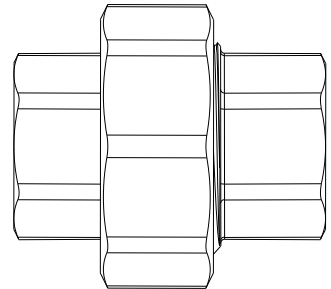
Use: For use with water, grease, fuels, LP and natural gas, refrigeration, instrumentation, and hydraulic systems in low and medium pressure pipe line connections. Use in combination with brass, copper, and iron pipe.

Design Features:

- Available in a broad range of sizes

Operating Specifications:

- Temperature:** -65° to 250° F
Working Pressure: 1200 PSI maximum
Vibration: Fair resistance to vibration and pipe movement depending on conditions

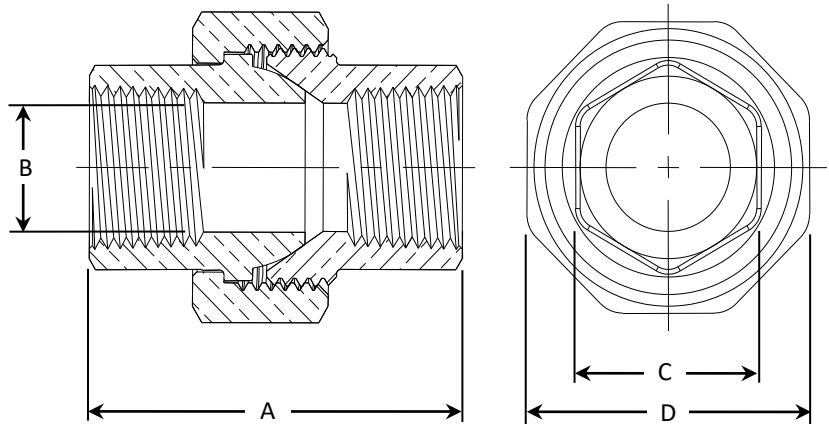


FITTING MATERIAL SPECIFICATIONS	
Body	Brass
Nut	Brass

PART DIMENSIONS (Inches)				
Model	DIM. A	DIA. B	DIM. C	OCT. D
104-4	1.31	.440	21/32	1-1/16
104-6	1.63	.550	25/32	1-1/4
104-8	1.97	.710	15/16	1-1/2
104-12	1.97	.913	1-3/16	1-1/16

Part Listing:

- 104-4 1/4" FIP x 1/4" FIP
- 104-4 B 1/4" FIP x 1/4" FIP, bulk
- 104-6 3/8" FIP x 3/8" FIP
- 104-6 B 3/8" FIP x 3/8" FIP, bulk
- 104-8 1/2" FIP x 1/2" FIP
- 104-8 1/2" FIP x 1/2" FIP, bulk
- 104-12 3/4" FIP x 3/4" FIP



This specification and all information contained herein is the confidential and exclusive property of Brasscraft Manufacturing Company and shall not be disclosed to others without the written consent of Brasscraft Mfg. Co. This specification must be returned to Brasscraft Mfg. Co. if requested.