

*For Residential and Commercial Applications*

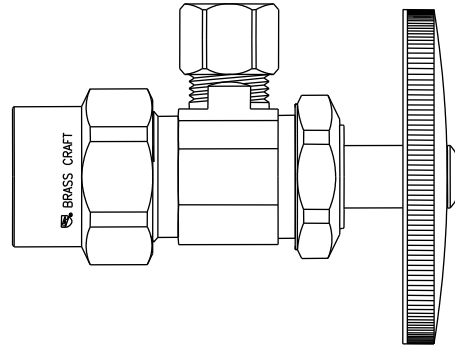
Job Name		Engineer / Architect	
Job Location		Wholesaler	
Submittal Date		Contractor	

## PR09/ PR19/ PR39 Multi-Turn Angle Stop – CPVC x Compression

**Use:** For use in potable water distribution systems in accessible locations only. Not intended for recirculating water systems that produce continuous use temperatures above 115° F. For those applications, use our KT™ series ball stop.

**Design Features:**

- **Machined one-piece brass body** provides strength, durability, and long-lasting performance
- **Oval knurled handle** provides a secure grip and smooth on/off operation
- **DESIGNED, MACHINED AND ASSEMBLED IN THE USA**



**Operating Specifications:**

**Temperature:** 40° - 140° F  
**Pressure:** 125 PSI maximum

STOP MATERIAL SPECIFICATIONS	
<b>Body</b>	Brass or brass, plated
<b>Stem</b>	POM; brass; or brass, plated
<b>Handle</b>	ABS, plated or polycarbonate
<b>Handle Screw</b>	Steel, zinc plated
<b>Bib &amp; Packing Washer</b>	Rubber

STOP MATERIAL SPECIFICATIONS	
<b>Packing Nut</b>	Brass or brass, plated
<b>CPVC Insert</b>	CPVC
<b>CPVC Washer</b>	Rubber
<b>CPVC Nut</b>	Brass or brass, plated
<b>Compression Sleeve &amp; Nut</b>	Brass

**Part Listing:**

- PR09X R 1/2" nom CPVC x 1/4" OD compression, rough brass
- PR09X RM 1/2" nom CPVC x 1/4" OD compression, rough brass, 5 pack
- PR19X C 1/2" nom CPVC x 3/8" OD compression, chrome
- PR19X R 1/2" nom CPVC x 3/8" OD compression, rough brass
- PR19X BZ 1/2" nom CPVC x 3/8" OD compression, oil rubbed bronze
- PR19X NS 1/2" nom CPVC x 3/8" OD compression, satin nickel
- PR19X C1 1/2" nom CPVC x 3/8" OD compression, chrome, window tray
- PR19X CM 1/2" nom CPVC x 3/8" OD compression, chrome, 5 pack
- PR19L1X CB 1/2" nom CPVC x 3/8" OD compression, less nut, chrome plated, bulk
- PR19TX CB 1/2" nom CPVC x 3/8" OD compression, plastic handle, chrome, bulk
- PR19X RM 1/2" nom CPVC x 3/8" OD compression, rough brass, 5 pack
- PR39X C 1/2" nom CPVC x 1/2" OD compression, chrome
- PR39X R 1/2" nom CPVC x 1/2" OD compression, rough brass
- PR39X CM 1/2" nom CPVC x 1/2" OD compression, chrome, 5 pack
- PR39X RM 1/2" nom CPVC x 1/2" OD compression, rough brass, 5 pack
- SPR19X C 1/2" nom CPVC x 3/8" OD compression, loose key, chrome
- XPR19X BZ1 1/2" nom CPVC x 3/8" OD compression, cross handle, oil rubbed bronze
- XPR19X NS1 1/2" nom CPVC x 3/8" OD compression, cross handle, satin nickel
- XXPR19X C 1/2" nom CPVC x 3/8" OD compression, round handle, chrome

*This specification and all information contained herein is the confidential and exclusive property of Brasscraft Manufacturing Company and shall not be disclosed to others without the written consent of Brasscraft Mfg. Co. This specification must be returned to Brasscraft Mfg. Co. if requested.*



# PR09/ PR19/ PR39 Multi-Turn Angle Stop – CPVC x Compression

## HANDLE MATERIAL SPECIFICATIONS

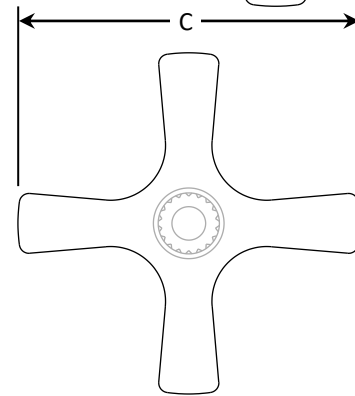
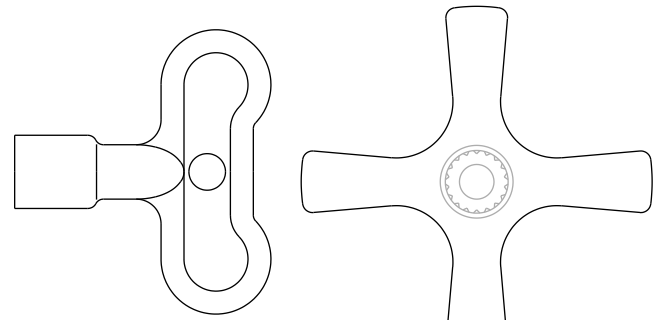
<b>Loose Key</b>	Zinc die cast
<b>Loose Key Stem</b>	Brass
<b>Lock Shield</b>	Brass, plated

<b>Cross Handle</b>	Brass, PVD coated
<b>Cross Handle Cap</b>	Brass

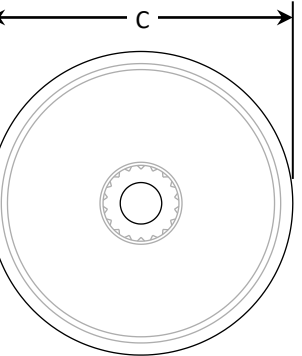
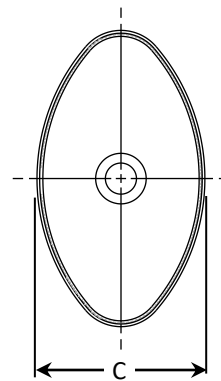
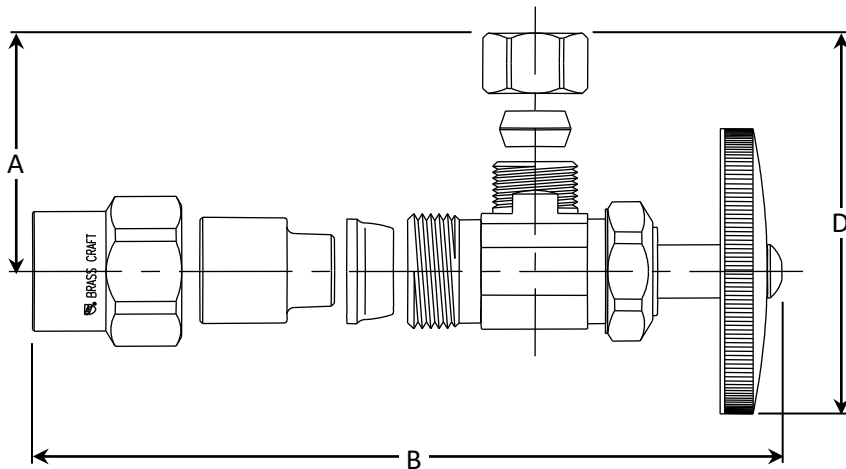
<b>Round Handle</b>	Brass, plated
<b>Round Handle Cap</b>	Brass

## PART DIMENSIONS (Inches)

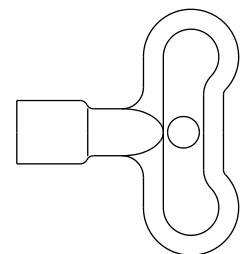
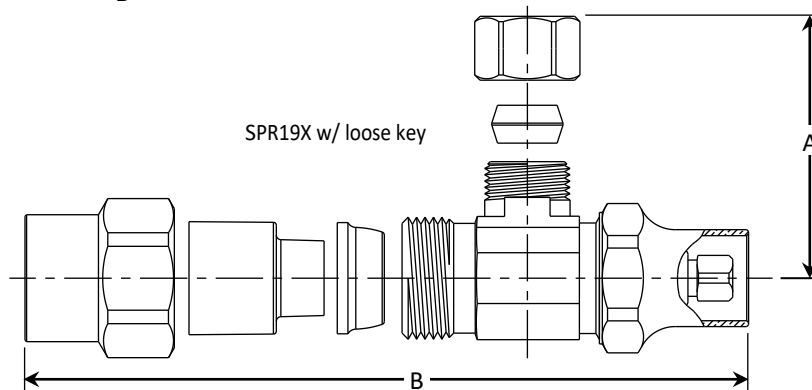
Model	DIM. A	DIM. B w/Loose Key	DIM. B w/Handle	DIA. C	DIM. D
PR09X	1.01	N/A	2.75	1.14	1.76
PR19X	1.01	N/A	2.75	1.14	1.76
PR39X	1.15	N/A	2.75	1.14	1.76
SPR19X	1.01	3.09	N/A	N/A	N/A
XPR19X	1.01	N/A	2.75	2.11	1.76
XXPR19X	1.01	N/A	2.75	1.50	1.76



OPTIONAL "CROSS HANDLE"



OPTIONAL "ROUND HANDLE"



OPTIONAL "LOOSE KEY"

### Listings & Certifications:

- IAPMO listed to ASME A112.18.1 / CSA B125.1 (includes NSF/ANSI372 & NSF61)



This specification and all information contained herein is the confidential and exclusive property of Brasscraft Manufacturing Company and shall not be disclosed to others without the written consent of Brasscraft Mfg. Co. This specification must be returned to Brasscraft Mfg. Co. if requested.

**BrassCraft**®