

*For Residential and Commercial Applications*

Job Name		Engineer / Architect	
Job Location		Wholesaler	
Submittal Date		Contractor	

## PLB101/114X 1/4 Turn Push Connect Angle Stop – Compression Outlet

**Use:** For use only in potable water distribution systems, hot and cold, in accessible locations only

**Part Listing:**

- PLB101X B      1/2" nom push connect x 3/8" OD compression, chrome plated, bulk
- PLB101X P      1/2" nom push connect x 3/8" OD compression, chrome plated, bagged
- PLB114X P      1/2" nom push connect x 1/4" OD compression, chrome plated, bagged



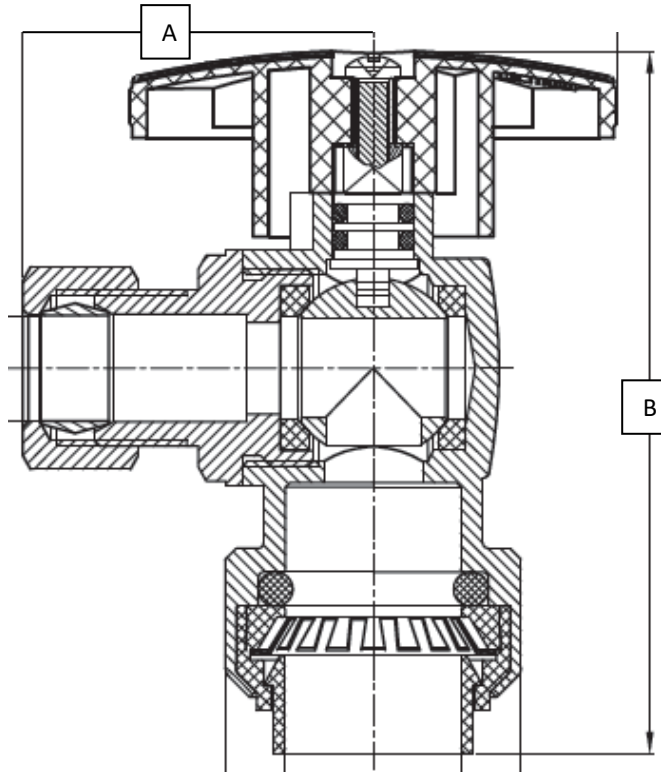
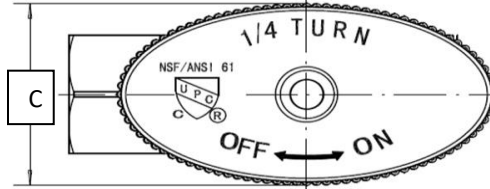
STOP MATERIAL SPECIFICATIONS	
<b>Body</b>	<i>Brass, plated</i>
<b>Stem</b>	<i>Brass</i>
<b>Ball</b>	<i>Brass, plated</i>
<b>Gripper Ring</b>	<i>Stainless steel</i>
<b>Push Ring</b>	<i>POM</i>
<b>Seat Ring</b>	<i>POM</i>
<b>Lock Ring</b>	<i>POM</i>
<b>Seats</b>	<i>PTFE</i>
<b>O-Rings</b>	<i>Rubber</i>
<b>Handle</b>	<i>ABS, plated</i>
<b>Screw</b>	<i>Stainless steel</i>
<b>Compression Nut</b>	<i>Brass, plated</i>
<b>Compression Ring</b>	<i>Brass</i>
<b>Tube Stiffener</b>	<i>Plastic</i>
<b>Adapter</b>	<i>Brass, plated</i>

Operating Specifications	
<b>Temperature</b>	<b>Pressure</b>
Intermittent 40° - 140° F	125 PSI maximum

*This specification and all information contained herein is the confidential and exclusive property of Brasscraft Manufacturing Company and shall not be disclosed to others without the written consent of Brasscraft Mfg. Co. This specification must be returned to Brasscraft Mfg. Co. if requested.*

# PLB101/114X 1/4 Turn Push Connect Angle Stop – Compression Outlet

PART DIMENSIONS (Inches)			
Model	DIM. A	DIM. B	DIM. C
PLB101X	1.12	2.48	.94
PLB114X	1.12	2.36	.94



**Listings & Certifications:**

- IAPMO listed to ASME A112.18.1 / CSA B125.1 (includes NSF/ANSI 372 and NSF61)



*This specification and all information contained herein is the confidential and exclusive property of Brasscraft Manufacturing Company and shall not be disclosed to others without the written consent of Brasscraft Mfg. Co. This specification must be returned to Brasscraft Mfg. Co. if requested.*

