

For Residential and Commercial Applications

Job Name		Engineer / Architect	
Job Location		Wholesaler	
Submittal Date		Contractor	

CS403DLX Copper Toilet Supply Kit –Multi-Turn Sweat Straight Stop w/ 5” Extension

Use: For use in potable water distribution systems in accessible locations only. Not intended for recirculating water systems that produce continuous use temperatures above 115° F. For those applications, use our KT™ series ball stop supply kits.

Design Features:

- **Everything you need.** This kit combines our trusted supply stop, copper riser, extension tube, and escutcheon for an easy-to-install connection

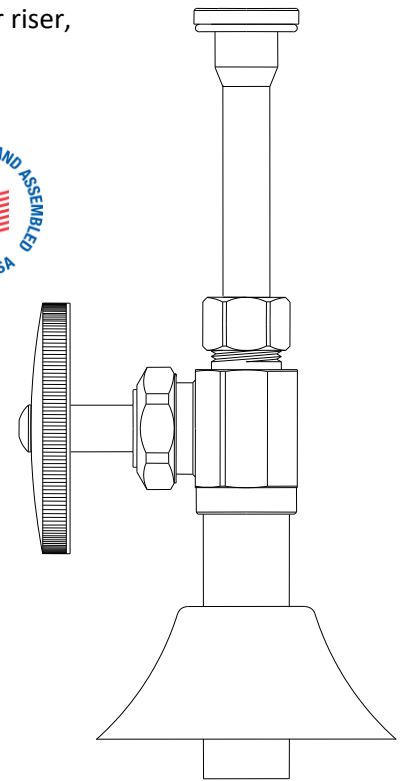


Copper riser provides:

- **One-piece construction**
- **Cut-to-length** for a clean, professional installation

Multi-turn stop provides:

- **Machined one-piece brass body** provides strength, durability, and long-lasting performance
- **Oval knurled handle** provides a secure grip and smooth on/off operation
- **Easy-to-remove handle** with screw attachment helps protect against accidental stop operation during rough-ins



Operating Specifications:

Temperature: 40°- 140° F
Pressure: 125 PSI maximum

Tubing Diameter: 0.375” OD

CONNECTOR MATERIAL SPECIFICATIONS	
Tube	<i>Copper, plated</i>
Nosepiece	<i>POM</i>

Escutcheon	<i>Stainless steel</i>
-------------------	------------------------

STOP MATERIAL SPECIFICATIONS	
Body	<i>Brass, plated</i>
Stem	<i>Brass, plated</i>
Bib & Packing Washers	<i>Rubber</i>
Packing Nut	<i>Brass, plated</i>
Handle	<i>Zinc die cast, plated</i>
Handle Screw	<i>Steel, zinc plated</i>
Compression Nut	<i>Brass, plated</i>
Compression Sleeve	<i>Brass</i>
Sweat Extension	<i>Copper, plated</i>

This specification and all information contained herein is the confidential and exclusive property of Brasscraft Manufacturing Company and shall not be disclosed to others without the written consent of Brasscraft Mfg. Co. This specification must be returned to Brasscraft Mfg. Co. if requested.

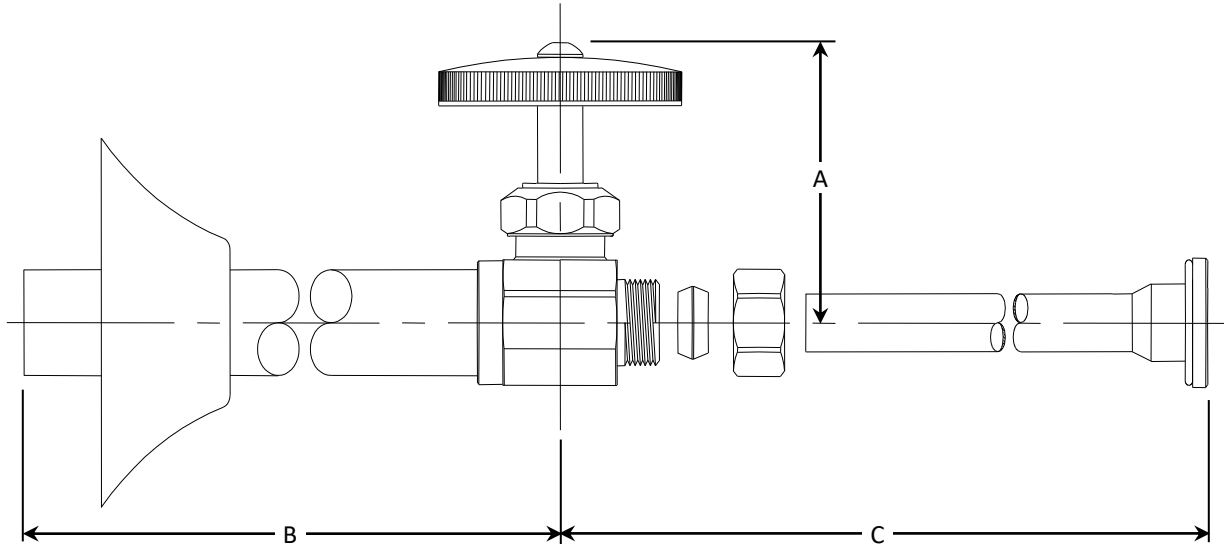


CS403DLX Copper Toilet Supply Kit –Multi-Turn Sweat Straight Stop with 5” Extension

Part Listing:

- CS403DLX C 1/2" nom sweat with extension x 3/8" OD compression multi-turn stop with 3/8" OD tube x 11-1/2" length riser, bell escutcheon, chrome

PART DIMENSIONS (Inches)			
Model	DIM. A	DIM. B	DIM. C
CS403DLX	2.04	6.50	12.03



Listings & Certifications:

- IAPMO listed to ASME A112.18.1/CSA B125.1 (includes NSF/ANSI372 and NSF61)



This specification and all information contained herein is the confidential and exclusive property of Brasscraft Manufacturing Company and shall not be disclosed to others without the written consent of Brasscraft Mfg. Co. This specification must be returned to BrassCraft Mfg. Co. if requested.

BrassCraft®