

Job Name		Engineer / Architect	
Job Location		Wholesaler	
Submittal Date		Contractor	

CS401DLX Copper Toilet Supply Kit –Multi-Turn Sweat Angle Stop w/ 5” Extension

Use: For use in potable water distribution systems in accessible locations only. Not intended for recirculating water systems that produce continuous use temperatures above 115° F. For those applications, use our KT™ series ball stop supply kits.

Design Features:

- **Everything you need.** These kits combine our trusted supply stop, copper riser, sweat extension, and escutcheon for an easy-to-install connection



Copper riser provides:

- **One-piece** construction
- **Cut-to-length** for clean, professional installation

Multi-turn stop provides:

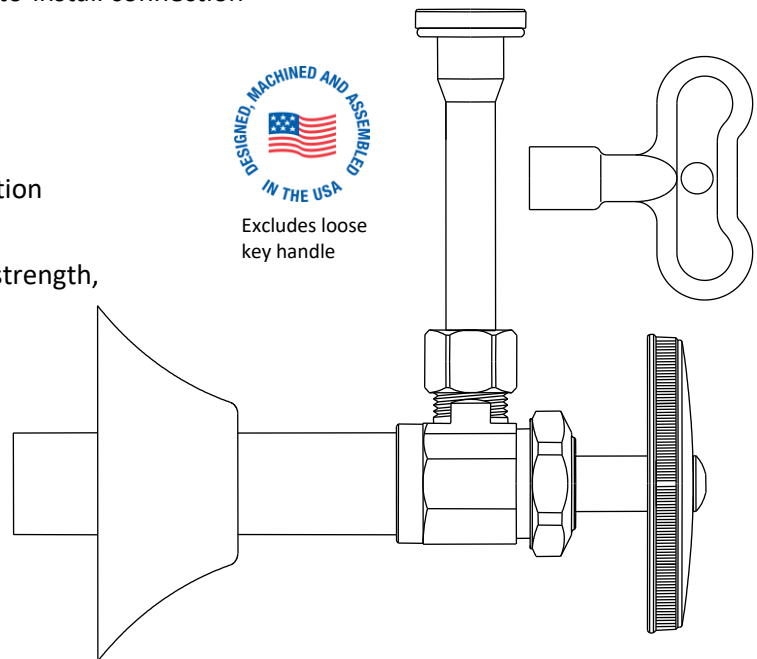
- **Machined one-piece brass body** provides strength, durability, and long-lasting performance
- **Easy-to-remove handle** with screw attachment helps protect against accidental stop operation during rough-ins
- **Oval knurled handle** provides a secure grip and smooth on/off operation

Operating Specifications:

Temperature: 40°- 140° F

Pressure: 125 PSI maximum

Tubing Diameter: .38” OD



CONNECTOR MATERIAL SPECIFICATIONS	
Tube	Copper
Nosepiece	POM
Escutcheon	Stainless steel
Loose Key	Zinc die cast
Loose Key Adaptor	Brass or brass, plated
Lock Shield	Brass or brass, plated
Sweat Extension	Copper, chrome plated

STOP MATERIAL SPECIFICATIONS	
Body	Brass
Stem	POM
Bib & Packing Washers	Rubber
Packing Nut	Brass
Handle	Zinc die cast, plated
Handle Screw	Steel, zinc plated
Compression Nut & Sleeve	Brass

This specification and all information contained herein is the confidential and exclusive property of Brasscraft Manufacturing Company and shall not be disclosed to others without the written consent of Brasscraft Mfg. Co. This specification must be returned to BrassCraft Mfg. Co. if requested.

400.249 CS401DLX Multi-Turn Toilet Supply Kit–Swt Ext Angle Stop REV 9.19



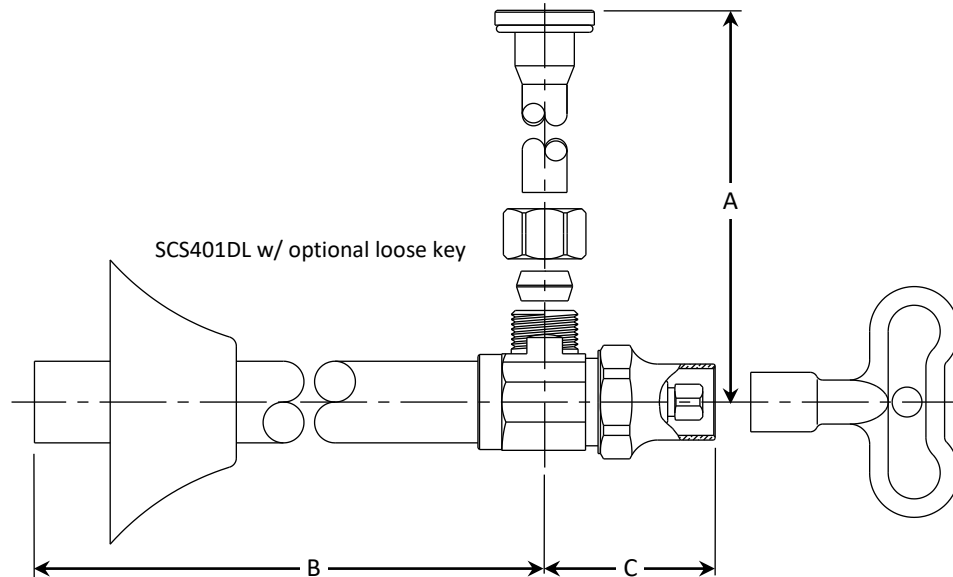
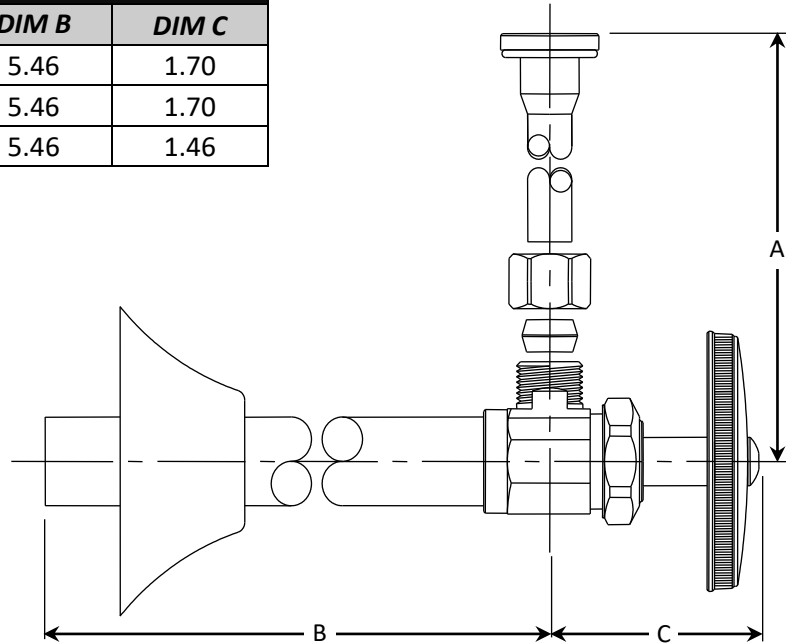
©2019 Brasscraft Manufacturing Company

CS401DLX Copper Toilet Supply Kit –Multi-Turn Sweat Angle Stop w/ 5" Extension

Part Listing:

- CS401DLX C 1/2" nom sweat with extension x 3/8" OD compression multi-turn stop with 3/8" OD tube x 11-1/2" length riser, bell escutcheon, chrome
- SCS401DLX C 1/2" nom sweat with extension x 3/8" OD compression multi-turn stop with 3/8" OD tube x 11-1/2" length riser, bell escutcheon, chrome, loose key

PART DIMENSIONS (Inches)			
Model	DIM A	DIM B	DIM C
CS401DLX	11.85	5.46	1.70
CS501DLX	11.85	5.46	1.70
SCS401DLX	11.85	5.46	1.46



Listings & Certifications:

- IAPMO listed to ASME A112.18.1/CSA B125.1 (includes NSF/ANSI372 and NSF61)



Excludes loose key handle

This specification and all information contained herein is the confidential and exclusive property of Brasscraft Manufacturing Company and shall not be disclosed to others without the written consent of Brasscraft Mfg. Co. This specification must be returned to Brasscraft Mfg. Co. if requested.

BrassCraft[®]